

shower valves - Puro Thermostatic Shower

**inspiration,
performance
and peace of mind,
protection**

Introduction

The all new Puro collection from Inta is defined by the unique contemporary styling of the handles, oversized soaker and multi-function eco air handset. The Puro range is the ultimate combination of form and function featuring safe touch valve bodies and Inta's proven anti-scald thermostatic technology. Bring inspiration, performance and peace of mind protection to your bathroom with Inta's Puro range.



PU10032CP

- Suitable for use with unvented supplies, combi boilers, gravity and mains pressure systems
- Fully adjustable riser with 200mm soaker & energy saving eco-air handset
- Safe touch body and metal handles
- Anti-scald thermostatic technology with fail safe protection on both the hot and cold supplies
- Temperature stability of +/-2°C
- Fast fix brackets
- WRAS and TMV2 approved (valve PU20010CP)

Product Range

Description	Code
Puro safe touch thermostatic shower complete with telescopic riser, overhead soaker and sliding eco air handset.	PU10032CP

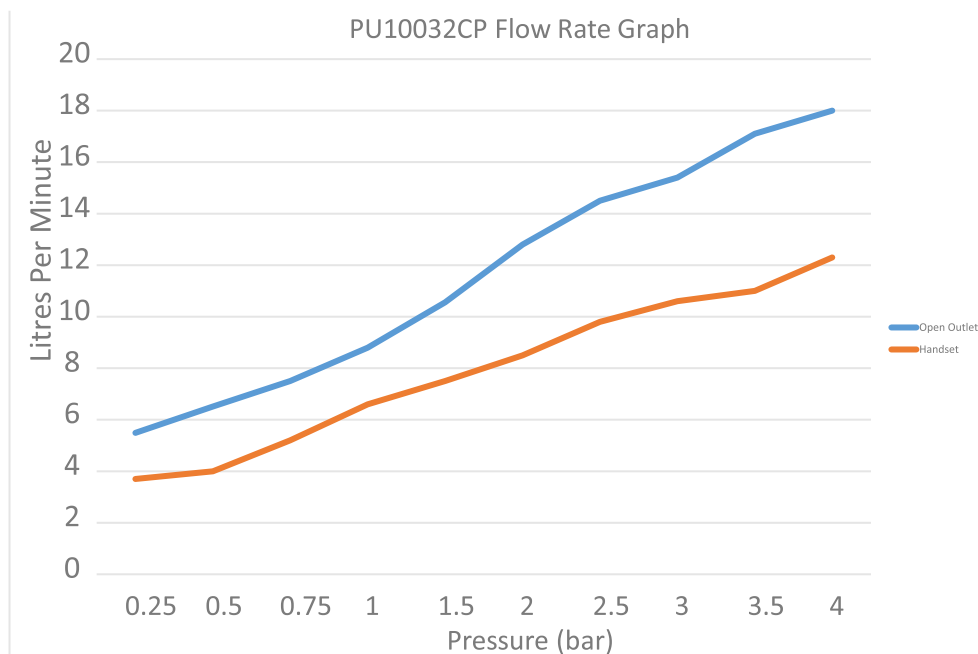
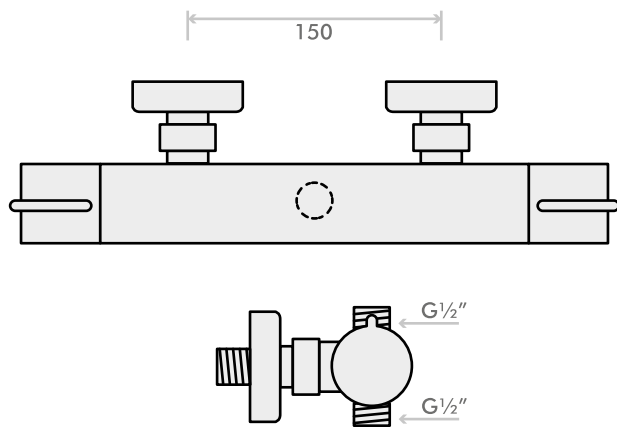
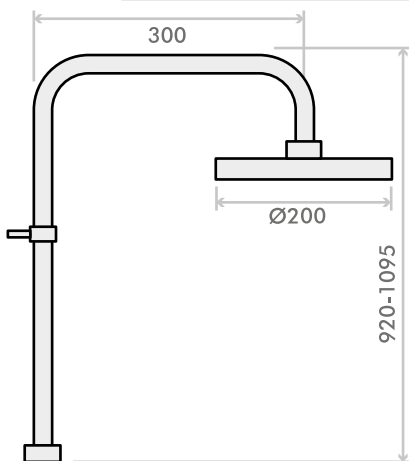


(valve PU20010CP)

shower valves - Puro Thermostatic Shower

Technical Specification

Max Inlet Pressure static	5 Bar
Min Inlet Pressure dynamic	0.4 Bar
Max Inlet Temperature	85°C
Factory Pre-set Temperature	38°C with max temp stop
Inlet Connections with fast fix	15mm compression
Outlet Connections	G 1/2" BSP (top)
	G 1/2" BSP (bottom)
Min Temperature to achieve hot or cold failsafe	15°C
System Installation	Unvented, Pressurised, Gravity and Combination Boilers



(valve PU20010CP)