

MIXER SHOWERS

SAY HELLO TO BRITAIN'S MOST POWERFUL MIXER SHOWERS

WHEN IT COMES TO MIXERS, NO ONE OUTPERFORMS US. SO WHAT MAKES THEM SPECIAL WE HEAR YOU SAY... WELL, HERE AT MIRA, WE INVEST IN THE RESEARCH AND DEVELOPMENT OF OUR OWN TECHNOLOGY SO WE CAN MAKE SURE IT DELIVERS A GREAT SHOWER EVERY TIME, WITHOUT COMPROMISE

MIRA CODA 13
MIRA CODA PRO 14
MIRA CODA PRO
WITH DIVERTER 15
MIRA MINILITE 18
MIRA MINILITE ECO 19
MIRA MINIDUO 20
MIRA MINIDUO ECO 21
MIRA MINIBELLE 360 HEAD 24
MIRA MYLINE 25
MIRA MINILUXE 26
MIRA MINILUXE
WITH DIVERTER 27
MIRA CALIBRE EV 28
MIRA CALIBRE ER 29

MIRA AGILE S EV 32
MIRA AGILE S EV ECO 33
MIRA AGILE EV 34
MIRA AGILE EV ECO 35
MIRA AGILE ERD 36
MIRA AGILE STORE EV+ 37
MIRA AGILE SENSE EV+ 38
MIRA AGILE SENSE ERD+ 39
MIRA ADEPT BIV 42
MIRA ADEPT BIV ECO 43
MIRA ADEPT BIR 44
MIRA ADEPT BRD 45
MIRA ADEPT BIR+ 46
MIRA ADEPT BRD+ 47
MIRA ELEMENT 50

MIRA ELEMENT SLT 52
MIRA SILVER 54
MIRA DISCOVERY DUAL 56
MIRA DISCOVERY CONCENTRIC 58
MIRA REALM 60
MIRA REALM
WITH DIVERTER 61
MIRA SELECT 62
MIRA COMBIFORCE 415 64
MIRA EXCEL 66
MIRA EXTRA BSM 68
MIRA EXCEL BSM 69

As you'd expect from Mira we have many great features on our mixer showers that make them Britain's ultimate, most powerful mixer range:

Thermostatic – We develop our own thermostatic technology because we know the right way to do it. In fact we've been doing it since 1936 when we were the first manufacturer to use it in showering. Now, our technology is so advanced that it reacts and adjusts temperature in just 0.25 seconds to make sure the shower doesn't get too hot or cold.

Magni-Flo™ – Provides up to 3x more flow than other shower companies. For diverter products, this means your customer can have both heads on together even on pressures as low as 0.1 bar (see page 10-11)

Easy to install – Many of our products have clever features like adjustable pipe/fixing centres, fast fit systems, and front of tile (2nd fix) fixings to make fitting our mixers easy. All patented, of course.

Easy to service – We design and make our cartridges here in Britain to the highest possible standards. We make them simple to maintain and quick and easy to replace. Our customer services team can also provide spares to make life easy for you.

Proven reliability – We test our mixer showers to 250,000 on/off cycles, which is the same as 170 years of use! Other shower companies test to just 50,000 cycles. Another example of how we go the extra mile to develop great showers.

Unbeatable durability – The high quality brass we use in our mixer bodies means they will last and last, unlike the showers from other companies. We also specify a superior level of chrome finish to make sure our mixer showers are the most robust.

Unparalleled safety – We set all our mixers to a safe maximum temperature before they leave the factory. Not only that, many of our mixers also have an automatic temperature stop and auto shutdown to ensure the highest level of safety. Of course, we 100% test each one too. This is why Mira is the safest choice.

Design and Engineering – We design and engineer our mixers here in Britain. So you won't find our products with someone else's name on them. We use the finest design and engineering talent, and latest technology to make sure our mixers are worthy of the Mira name.



WARNING!
BRITAIN'S MOST POWERFUL MIXERS.



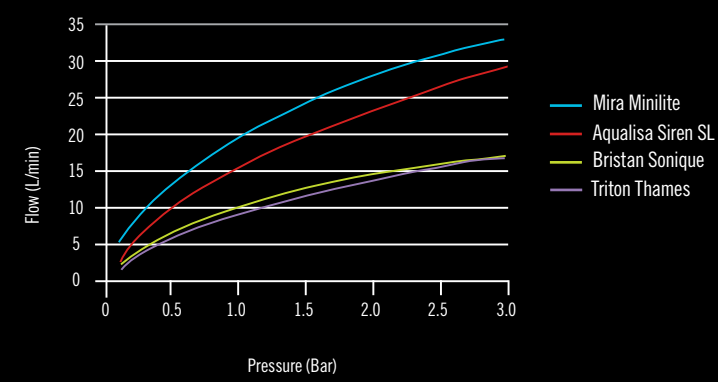
3x MORE FLOW

THINK YOU HAVE WHAT IT TAKES TO HANDLE BRITAIN'S MOST POWERFUL MIXERS?

Then get a Mira mixer in the back of your van! Because with Magni-Flo™ technology already built in to almost all our mixer showers, they deliver up to 3x more water flow than any other mixers on the market.

What's more, Magni-Flo™ means our diverter products can deliver water through both shower heads at once, even on low pressure gravity systems.

MIRA MAGNI-FLO™ COMPARISON CHART



To see Magni-Flo™ in action, simply scan this QR code with your mobile device or visit www.mirashowers.co.uk/expert



THE BEST VALVES AROUND – BAR NONE

Choose a Mira Bar Valve when you want a quick and simple mixer valve solution at the lowest possible price. Our Mira Coda Pro bar valves are supplied with an innovative front of tile installation system. This 'easy-fit' system includes a handy pipe spacer which holds the pipework rigid allowing you to connect the valve up easily as a second fix after tiling is complete.



Step 1
Finish the wall leaving the pipe stubs protruding at least 50mm.

Step 2
Cut the pipe stubs to 25±5mm and fix the wall brackets to the tiled wall.



Step 3
Install the concealing plates so they are flush to the wall. Offer the bar valve up and secure.

MIRA CODA

Part Number: EV, Chrome: 2.1630.001

QUALITY, RELIABILITY,
PERFORMANCE



TEMPERATURE CONTROL

Thermostatic temperature stability

EASY TO FIT

Easy to install via offset z-connectors

EASY TO SERVICE

Large, long-life filters and replaceable cartridge

FOR YOUR CUSTOMER

Separate flow and temperature controls

Maximum temperature stop for increased safety (with override for a hotter shower)

3 spray 8cm showerhead with rub clean nozzles

TECH DETAILS

TEMPERATURE CONTROL

Control type: Thermostatic

INSTALLATION

Water entry points: Rear only (bar valve fixing kit and bar valve exposed pipework installation elbows available for rising or falling inlets)

Inlet connections: 15 mm compression joints with pipes, 3/4" connection to valve

Outlet connections: 1/2" BSP Male Flat Face

Reversed inlets supported: No

SUPPLY CONDITIONS (hot and cold supplies to be at nominally equal pressure)

Cold water range: Up to 25°C

Hot water range: 50°C-85°C (operating)
55°C-65°C (recommended)

Minimum maintained pressure: 0.1 bar (1 metre head)

Maximum maintained pressure: 5.0 bar (50 metre head)

Maximum static pressure: 10.0 bar (100 metre head)

PERFORMANCE

Flow rate (at handset): 9.4 l/min at 0.5 bar

Temperature stability: ± 2°C

SAFETY FEATURES

Automatic shutdown: Shutdown to seepage in 2 secs

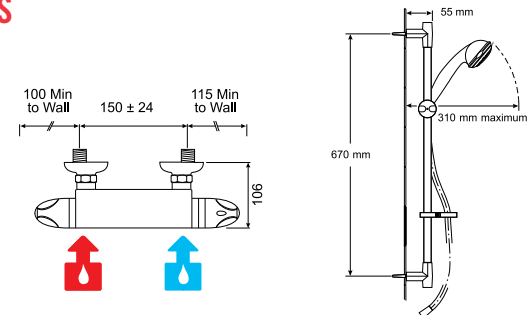
Factory set to safe max temp: Factory set to 41°C

Adjustable maximum temperature for on-site conditions

ACCESSORIES

Accessories available at www.mirashowers-store.co.uk

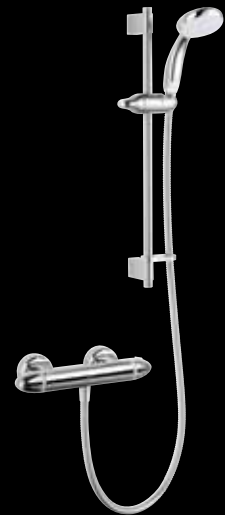
TECH DRAWINGS



MIRA CODA PRO

Part Number: EV, Chrome: 1.1836.005

THE BAR VALVE CHOICE OF PROFESSIONALS



TEMPERATURE CONTROL

Thermostatic temperature stability

EASY TO FIT

Front of tile installation system. Slide bar with adjustable fixing centres (400-510mm)

EASY TO SERVICE

Large, long-life filters and replaceable cartridge

FOR YOUR CUSTOMER

Separate flow and temperature controls

Cool Shield™ stops the valve getting hot during a shower

Maximum temperature stop for increased safety (with override for a hotter shower)

Eco stop for water saving with override function

1 spray 9cm showerhead with rub clean nozzles



TECH DETAILS

TEMPERATURE CONTROL

Control type: Thermostatic

INSTALLATION

Water entry points: rear only (bar valve exposed pipework installation elbows available for rising or falling inlets)

Inlet connections: 15 mm compression joints with pipes, 3/4" connection to valve

Outlet connections: 1/2" BSP Male Flat Face

Reversed inlets supported: No

SUPPLY CONDITIONS (hot and cold supplies to be at nominally equal pressure)

Cold water range: Up to 25°C

Hot water range: 50°C-85°C (operating)

55°C-65°C (recommended)

Minimum maintained pressure: 0.1 bar (1 metre head)

Maximum maintained pressure: 5.0 bar (50 metre head)

Maximum static pressure: 10.0 bar (100 metre head)

PERFORMANCE

Flow rate (at handset): 9.6 l/min at 0.5 bar

Temperature stability: ± 2°C

SAFETY FEATURES

Automatic shutdown: Shutdown within 2 secs

Factory set to safe max temp: Factory set to 41°C

Adjustable maximum temperature for on-site conditions

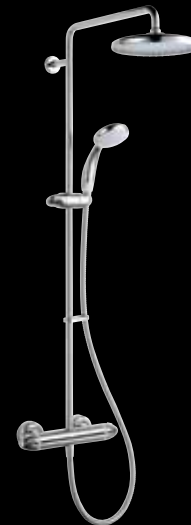
ACCESSORIES

Accessories available at www.mirashowers-store.co.uk

MIRA CODA PRO WITH DIVERTER

Part Number: ERD, Chrome: 1.1836.006

THE BAR VALVE CHOICE OF PROFESSIONALS



TECH DETAILS

TEMPERATURE CONTROL

Control type: Thermostatic

INSTALLATION

Water entry points: rear only

Inlet connections: 15 mm compression joints with pipes, 3/4" connection to valve

Outlet connections: 1/2" BSP Male Flat Face

Reversed inlets supported: No

SUPPLY CONDITIONS (hot and cold supplies to be at nominally equal pressure)

Cold water range: Up to 25°C

Hot water range: 50°C-85°C (operating)

55°C-65°C (recommended)

Minimum maintained pressure: 0.1 bar (1 metre head)

Maximum maintained pressure: 5.0 bar (50 metre head)

Maximum static pressure: 10.0 bar (100 metre head)

PERFORMANCE

Flow rate (at handset): 7.9 l/min at 0.5 bar

Flow rate (at overhead): 8.4 l/min at 0.5 bar

Temperature stability: ± 2°C

SAFETY FEATURES

Automatic shutdown: Shutdown to seepage in 2 secs

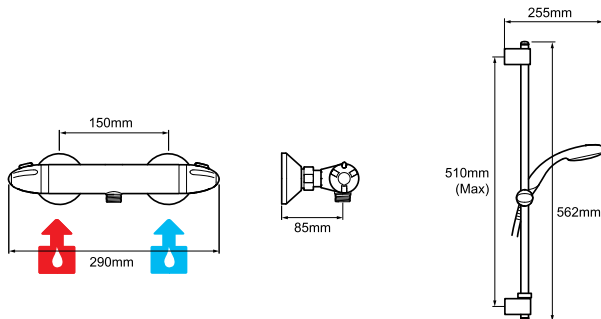
Factory set to safe max temp: Factory set to 41°C

Adjustable maximum temperature for on-site conditions

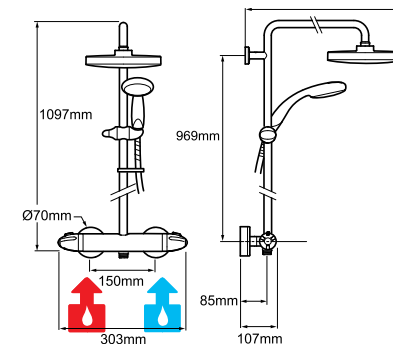
ACCESSORIES

Accessories available at www.mirashowers-store.co.uk

TECH DRAWINGS



TECH DRAWINGS



CHOOSE A **MIRA MINI VALVE** WHEN SPACE IS LIMITED. MIRA MINILITE AND MIRA MINIDUO ARE SMALLER THAN NORMAL MIXERS, BUT STILL FEATURE MAGNI-FLO™ TECHNOLOGY AND DELIVER THE SAME GREAT PERFORMANCE YOU'D EXPECT FROM BRITAIN'S MOST POWERFUL MIXER RANGE

MINI SIZE MAXIMUM PERFORMANCE



Check out the range on pages 18 - 21

GREAT FOR YOU

- 1 Magni-Flo™ technology – delivers up to 3x more water than the closest competitor
- 2 Thermostatic temperature stability
- 3 Suitable for all plumbing systems
- 4 Caters for reversed inlets
- 5 Extended elbows pack available for EV to fit to 133-153 mm pipe centres
- 6 Large, long-life filters and replaceable cartridge

GREAT FOR YOUR CUSTOMER

- 1 Saves space in the shower area but still delivers the same great performance
- 2 Choice of control options – one flow and temperature control on Minilite and separate controls on Miniduo
- 3 Both Minilite and Miniduo are available with an eco option, saving up to 75% water



Do you want to install a Mira mini valve to save space in the shower area, but don't have 110mm pipe centres? Then pick up a mini valve retrofit kit!

This great kit features adjustable elbows and an adjustable backplate which means you can fit a mini valve – like Minilite or Miniduo – to pipe centres between 133-153mm.

Not only that, but you also get 5mm adjustment on the backplate if you need to bring the valve out from the wall slightly, to accommodate tiles.

The retrofit kit is available in chrome, which will match the shower valve perfectly. Pick one up from your local stockist, or buy online at www.mirashowers-store.co.uk. Part number: 1.1663.012.

MIRA MINILITE

Part Number: EV, Chrome: 1.1663.003
Part Number: BIV, Chrome: 1.1663.007

SAVES SPACE –
SMALLER
THAN A NORMAL
MIXER

FOR CUSTOMERS WHO
WANT SEPARATE FLOW AND
TEMPERATURE CONTROLS,
SEE PAGE 20



TECH DETAILS

TEMPERATURE CONTROL Control type: Thermostatic
INSTALLATION Water entry points: Rising, falling or rear Inlet connections: 15 mm compression (EV & BIV) Outlet connections: ½" BSP Male Flat Face (EV); 15 mm compression (BIV) Reversed inlets supported: Yes
SUPPLY CONDITIONS (hot and cold supplies to be at nominally equal pressure) Cold water range: Up to 25°C Hot water range: 50°C-85°C (operating) 55°C-65°C (recommended) Minimum maintained pressure: 0.1 bar (1 metre head) Maximum maintained pressure: 5.0 bar (50 metre head) Maximum static pressure: 10.0 bar (100 metre head)
PERFORMANCE Flow rate (at handset): 13 l/min at 0.5 bar Temperature stability: ± 2°C
SAFETY FEATURES Automatic shutdown: Shutdown to seepage in 2 secs Factory set to safe max temp: Factory set to 41°C Adjustable maximum temperature for on-site conditions
ACCESSORIES Mini valve retrofit kit available to fit pipe centres between 133-153mm (see page 17)

HIGH PERFORMANCE

Magni-Flo™ gives up to 3x more flow

TEMPERATURE CONTROL

Thermostatic temperature stability

EASY TO FIT

Quickly and easily fits onto reversed inlet supplies

EASY TO SERVICE

Large, long-life filters and replaceable cartridge

FOR YOUR CUSTOMER

One control for on/off and temperature

1 spray 9cm showerhead with rub clean nozzles



MIRA MINILITE ECO

Part Number: EV, Chrome: 1.1663.239
Part Number: BIV, Chrome: 1.1663.240

SAVES SPACE –
SMALLER
THAN A NORMAL
MIXER

FOR CUSTOMERS WHO WANT
SEPARATE FLOW AND
TEMPERATURE CONTROLS
AND STILL SAVE WATER
SEE PAGE 21W



TECH DETAILS

TEMPERATURE CONTROL Control type: Thermostatic
INSTALLATION Water entry points: Rising, falling or rear Inlet connections: 15 mm compression (EV & BIV) Outlet connections: ½" BSP Male Flat Face (EV); 15 mm compression (BIV) Reversed inlets supported: Yes
SUPPLY CONDITIONS (hot and cold supplies to be at nominally equal pressure) Cold water range: Up to 25°C Hot water range: 50°C-85°C (operating) 55°C-65°C (recommended) Minimum maintained pressure: 0.1 bar (1 metre head) Maximum maintained pressure: 5.0 bar (50 metre head) Maximum static pressure: 10.0 bar (100 metre head)
PERFORMANCE Flow rate (at handset): 6 l/min at 0.5 bar Temperature stability: ± 2°C
SAFETY FEATURES Automatic shutdown: Shutdown to seepage in 2 secs Factory set to safe max temp: Factory set to 41°C Adjustable maximum temperature for on-site conditions
ACCESSORIES Mini valve retrofit kit available to fit pipe centres between 133-153mm (see page 17)

SAVES WATER

Saves up to 50% water compared with Minilite

TEMPERATURE CONTROL

Thermostatic temperature stability

EASY TO FIT

Quickly and easily fits onto reversed inlet supplies

EASY TO SERVICE

Large, long-life filters and replaceable cartridge

FOR YOUR CUSTOMER

One control for on/off and temperature

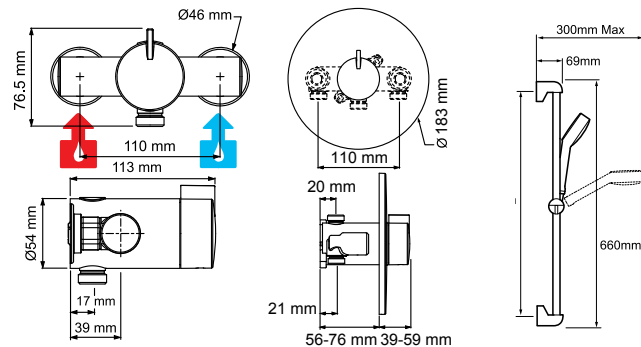
1 spray 9cm showerhead with rub clean nozzles



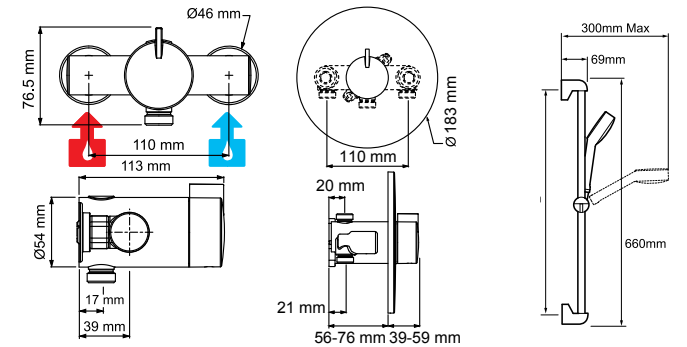
TECH DRAWINGS



See Magni-Flo™ in action by scanning this QR code



TECH DRAWINGS



MIRA MINIDUO

Part Number: EV, Chrome: 1.1663.004
Part Number: BIV, Chrome: 1.1663.008

SAVES SPACE –
SMALLER
THAN A NORMAL
MIXER



HIGH PERFORMANCE

Magni-Flo™ gives up to 3x more flow

TEMPERATURE CONTROL

Thermostatic temperature stability

EASY TO FIT

Quickly and easily fits onto reversed inlet supplies

EASY TO SERVICE

Large, long-life filters and replaceable cartridge

FOR YOUR CUSTOMER

Separate flow and temperature controls

4 spray 9cm showerhead with rub clean nozzles



TECH DETAILS

TEMPERATURE CONTROL

Control type: Thermostatic

INSTALLATION

Water entry points: Rising, falling or rear

Inlet connections: 15 mm compression (EV & BIV)

Outlet connections: ½" BSP Male Flat Face (EV); 15 mm compression (BIV)

Reversed inlets supported: Yes

SUPPLY CONDITIONS (hot and cold supplies to be at nominally equal pressure)

Cold water range: Up to 25°C

Hot water range: 50°C-85°C (operating)
55°C-65°C (recommended)

Minimum maintained pressure: 0.1 bar (1 metre head)

Maximum maintained pressure: 5.0 bar (50 metre head)

Maximum static pressure: 10.0 bar (100 metre head)

PERFORMANCE

Flow rate (at handset): 11 l/min at 0.5 bar

Temperature stability: ± 2°C

SAFETY FEATURES

Automatic shutdown: Shutdown to seepage in 2 secs

Factory set to safe max temp: Factory set to 41°C

Adjustable maximum temperature for on-site conditions

ACCESSORIES

Mini valve retrofit kit available to fit pipe centres between 133-153mm (see page 17)

MIRA MINIDUO WITH ECO SHOWERHEAD

Part Number: EV, Chrome: 1.1663.241
Part Number: BIV, Chrome: 1.1663.242
Part Number: BIR, Chrome: 1.1663.243

SAVES SPACE –
SMALLER
THAN A NORMAL
MIXER



TECH DETAILS

TEMPERATURE CONTROL

Control type: Thermostatic

INSTALLATION

Water entry points: Rising, falling or rear

Inlet connections: 15 mm compression (EV & BIV & BIR)

Outlet connections: ½" BSP Male Flat Face (EV); 15 mm compression (BIV & BIR)

Reversed inlets supported: Yes

SUPPLY CONDITIONS (hot and cold supplies to be at nominally equal pressure)

Cold water range: Up to 25°C

Hot water range: 50°C-85°C (operating)
55°C-65°C (recommended)

Minimum maintained pressure: 0.5 bar (5 metre head)

Maximum maintained pressure: 5.0 bar (50 metre head)

Maximum static pressure: 10.0 bar (100 metre head)

PERFORMANCE

Flow rate (at handset): 6 l/min at 0.5 bar

Temperature stability: ± 2°C

SAFETY FEATURES

Automatic shutdown: Shutdown to seepage in 2 secs

Factory set to safe max temp: Factory set to 41°C

Adjustable maximum temperature for on-site conditions

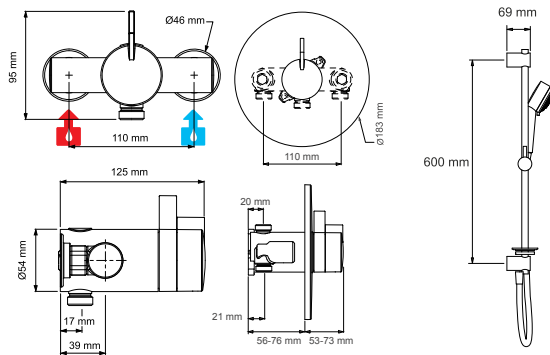
ACCESSORIES

Extended elbows pack available for EV to fit to 133-153mm pipe centres (see page 17)

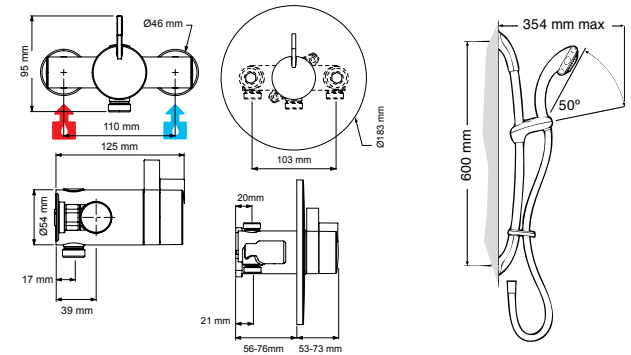
TECH DRAWINGS



See Magni-Flo™ in action by scanning this QR code



TECH DRAWINGS



CHOOSE A **MIRA VERTICAL VALVE** WHEN YOU WANT TO MAKE A REAL DESIGN STATEMENT. THEY'RE SMALLER THAN NORMAL MIXERS, BUT STILL FEATURE MAGNI-FLO™ TECHNOLOGY AND DELIVER THE SAME GREAT PERFORMANCE YOU'D EXPECT FROM BRITAIN'S MOST POWERFUL MIXER RANGE

MINI SIZE MAXIMUM PERFORMANCE

GREAT FOR YOU

- 1 Magni-Flo™ technology – delivers up to 3x more water than the closest competitor*
- 2 Thermostatic temperature stability
- 3 Suitable for all plumbing systems
- 4 Great for new installations where you're not constrained by the existing pipework layout
- 5 Large, long-life filters and replaceable cartridge

GREAT FOR YOUR CUSTOMER

- 1 Saves space in the shower area but still delivers the same great performance
- 2 Cool Shield™ stops the valve getting hot during a shower*
- 3 Divert between the deluge head and hand shower, or have both heads on at once with Miniluxe with Diverter

* Except Mira Calibre EV & ER

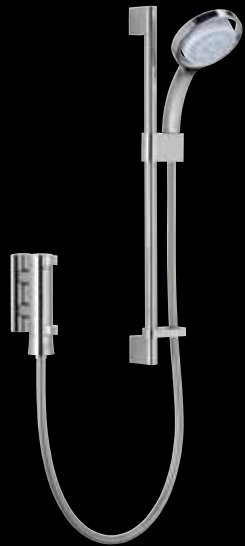


CHECK OUT OUR GREAT
RANGE OF VERTICAL VALVES
ON PAGES 24-29

MIRA MINIBELLE WITH 360 SHOWERHEAD

Part Number: EV, Chrome: 1.1660.016

SAVES SPACE –
SMALLER THAN A
NORMAL MIXER



HIGH PERFORMANCE

Magni-Flo™ gives up to 3x more flow

TEMPERATURE CONTROL

Thermostatic temperature stability

EASY TO FIT

Front of tile installation system

EASY TO SERVICE

Large, long-life filters

FOR YOUR CUSTOMER

Separate flow and temperature controls

Cool Shield™ stops the valve getting hot during a shower

Flipstream Technology™ – 1 flip action, 4 unique sprays



TECH DETAILS

TEMPERATURE CONTROL

Control type: Thermostatic

INSTALLATION

Water entry points: Rear only

Inlet connections: 15 mm compression (hot – bottom; cold – top)

Outlet connections: ½" BSP Male Flat Face

Reversed inlets supported: No

SUPPLY CONDITIONS (hot and cold supplies to be at nominally equal pressure)
Cold water range: Up to 25°C

Hot water range: 50°C-85°C (operating)
55°C-65°C (recommended)

Minimum maintained pressure: 0.1 bar (1 metre head)

Maximum maintained pressure: 5.0 bar (50 metre head)

Maximum static pressure: 10.0 bar (100 metre head)

PERFORMANCE

Flow rate (at handset): 9 l/min at 0.5 bar

Temperature stability: ± 2°C

SAFETY FEATURES

Automatic shutdown: Shutdown to seepage in 2 secs

Factory set to safe max temp: Factory set to 43°C

Adjustable maximum temperature for on-site conditions

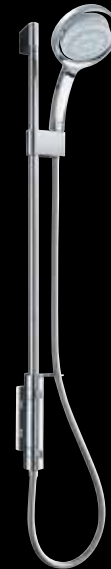
ACCESSORIES

Wide range of accessories available at www.mirashowers-store.co.uk

MIRA MYLINE

Part Number: EV, Chrome: 1.1660.017

FRESH LOOKS FOR
FRESH INSTALLATIONS



TECH DETAILS

TEMPERATURE CONTROL

Control type: Thermostatic

INSTALLATION

Water entry points: Rear only (cold – top; hot – bottom)

Inlet connections: 15 mm compression

Outlet connections: 15 mm Flat Face

Reversed inlets supported: No

SUPPLY CONDITIONS (hot and cold supplies to be at nominally equal pressure)
Cold water range: Up to 25°C

Hot water range: 50°C-85°C (operating)
55°C-65°C (recommended)

Minimum maintained pressure: 0.1 bar (1 metre head)

Maximum maintained pressure: 5.0 bar (50 metre head)

Maximum static pressure: 10.0 bar (100 metre head)

PERFORMANCE

Flow rate (at handset): 9 l/min at 0.5 bar

Temperature stability: ± 2°C

SAFETY FEATURES

Automatic shutdown: Shutdown to seepage in 2 secs

Factory set to safe max temp: Factory set to 43°C

Adjustable maximum temperature for on-site conditions

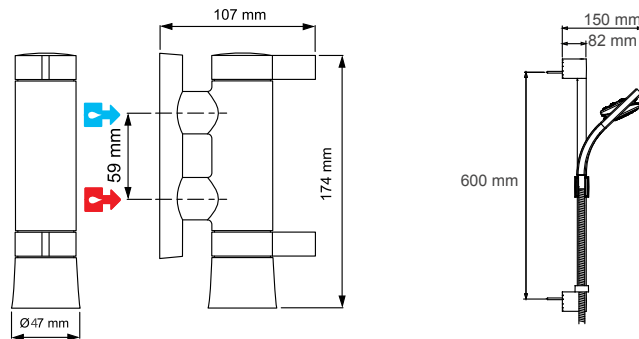
ACCESSORIES

Wide range of accessories available at www.mirashowers-store.co.uk

TECH DRAWINGS



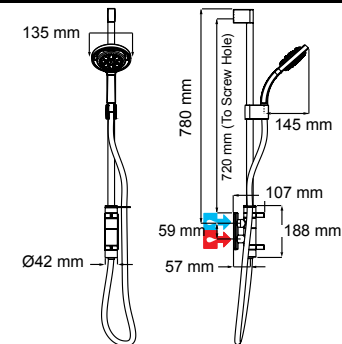
See Magni-Flo™ in action by scanning this QR code



TECH DRAWINGS



See Magni-Flo™ in action by scanning this QR code



MIRA MINILUXE

Part Number: EV, Chrome: 1.1660.007

SAVES SPACE –
SMALLER THAN
A NORMAL MIXER

FOR CUSTOMERS WHO
WANT A SEPARATE
HANDSET SEE PAGE 27



HIGH PERFORMANCE

Magni-Flo™ gives up to 3x more flow

TEMPERATURE CONTROL

Thermostatic temperature stability

EASY TO FIT

Front of tile installation system

EASY TO SERVICE

Large, long-life filters

FOR YOUR CUSTOMER

Separate flow and temperature controls

Cool Shield™ stops the valve getting hot during a shower

1 spray 18.5cm deluge fixed showerhead with rub clean rubber nozzles



TECH DETAILS

TEMPERATURE CONTROL

Control type: Thermostatic

INSTALLATION

Water entry points: Rear only

Inlet connections: 15 mm compression (hot – top; cold – bottom)

Outlet connections: 15 mm compression

Reversed inlets supported: No

SUPPLY CONDITIONS (hot and cold supplies to be at nominally equal pressure)
Cold water range: Up to 25°C

Hot water range: 50°C-85°C (operating)
55°C-65°C (recommended)

Minimum maintained pressure: 0.1 bar (1 metre head)

Maximum maintained pressure: 5.0 bar (50 metre head)

Maximum static pressure: 10.0 bar (100 metre head)

PERFORMANCE

Flow rate (at showerhead): 14 l/min at 0.5 bar

Temperature stability: ± 2°C

SAFETY FEATURES

Automatic shutdown: Shutdown to seepage in 2 secs

Factory set to safe max temp: Factory set to 43°C

Adjustable maximum temperature for on-site conditions

ACCESSORIES

Wide range of accessories available at www.mirashowers-store.co.uk

MIRA MINILUXE WITH DIVERTER

Part Number: ERD, Chrome: 1.1660.015

BOTH HEADS
WORK TOGETHER,
EVEN AT 0.1 BAR
PRESSURE



HIGH PERFORMANCE

Magni-Flo™ gives up to 3x more flow

TEMPERATURE CONTROL

Thermostatic temperature stability

EASY TO FIT

Front of tile installation system

EASY TO SERVICE

Large, long-life filters

FOR YOUR CUSTOMER

Separate flow and temperature controls

Divert between the two heads or have both on at the same time

Cool Shield™ stops the valve getting hot during a shower

1 spray 18.5cm deluge fixed showerhead with rub clean rubber nozzles plus separate 9cm showerhead



TECH DETAILS

TEMPERATURE CONTROL

Control type: Thermostatic

INSTALLATION

Water entry points: Rear only

Inlet connections: 15 mm compression (hot – top; cold – bottom)

Outlet connections: 15 mm compression

Reversed inlets supported: No

SUPPLY CONDITIONS
Cold water range: Up to 25°C

Hot water range: 50°C-85°C (operating)
55°C-65°C (recommended)

Minimum maintained pressure: 0.1 bar (1 metre head)

Maximum maintained pressure: 5.0 bar (50 metre head)

Maximum static pressure: 10.0 bar (100 metre head)

PERFORMANCE

Flow rate at 0.5 bar: 11 l/min at handset; 14 l/min at overhead; 14 l/min combined

Temperature stability: ± 2°C

SAFETY FEATURES

Automatic shutdown: Shutdown to seepage in 2 secs

Factory set to safe max temp: Factory set to 43°C

Adjustable maximum temperature for on-site conditions

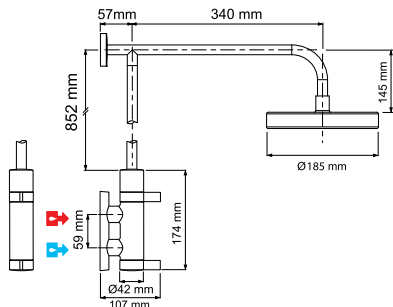
ACCESSORIES

Wide range of accessories available at www.mirashowers-store.co.uk

TECH DRAWINGS



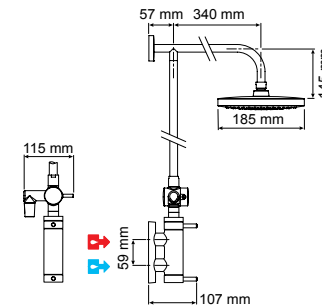
See Magni-Flo™ in action by scanning this QR code



TECH DRAWINGS



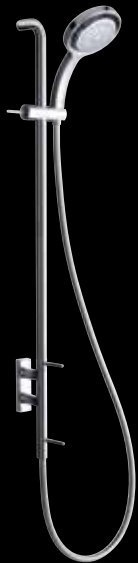
See Magni-Flo™ in action by scanning this QR code



MIRA CALIBRE EV

Part Number: EV, Chrome: 1.1678.001

THE SMALLEST YET HIGHEST FLOWING VERTICAL MIXER ON THE MARKET



TEMPERATURE CONTROL

Thermostatic temperature stability

EASY TO FIT

Front of tile installation system

EASY TO SERVICE

Large, long life filters and replaceable cartridge

FOR YOUR CUSTOMER

Separate flow and temperature controls

Maximum temperature stop – enhances safety

Innovative 25mm valve technology

Lever operated clamp bracket and easy clean smooth hose

Flipstream™ technology – 1 flip action, 4 unique sprays



TECH DETAILS

TEMPERATURE CONTROL

Control type: Thermostatic

INSTALLATION

Water entry points: Rear only (cold – top; hot – bottom)

Inlet connections: Push-fit 15mm copper pipe to BSEN1057 (not suitable for 14.7mm copper pipe)

Outlet connections: 1/2" BSP Flat Face

Reversed inlets supported: No

SUPPLY CONDITIONS (hot and cold supplies to be at nominally equal pressure)
Cold water range: Up to 25°C

Hot water range: 50°C-85°C (operating)
55°C-65°C (recommended)

Minimum maintained pressure: 0.5 bar (5 metre head)

Maximum maintained pressure: 5.0 bar (50 metre head)

Maximum static pressure: 10.0 bar (100 metre head)

PERFORMANCE

Flow rate (at handset): 8 l/min at 0.5 bar

Temperature stability: ± 2°C

SAFETY FEATURES

Automatic shutdown: Shutdown to seepage in 2 secs

Factory set to safe max temp: Factory set to 45°C

Adjustable maximum temperature for on-site conditions

ACCESSORIES

Wide range of accessories available at www.mirashowers-store.co.uk

MIRA CALIBRE ER

Part Number: EV, Chrome: 1.1678.003

THE SMALLEST YET HIGHEST FLOWING VERTICAL MIXER ON THE MARKET



TEMPERATURE CONTROL

Thermostatic temperature stability

EASY TO FIT

Front of tile installation system

Innovative slide rail fixing system

EASY TO SERVICE

Large, long life filters and replaceable cartridge

FOR YOUR CUSTOMER

Separate flow and temperature controls

Innovative 25mm valve technology

Luxurious 25cm chrome deluge head



TECH DETAILS

TEMPERATURE CONTROL

Control type: Thermostatic

INSTALLATION

Water entry points: Rear only (cold – top; hot – bottom)

Inlet connections: Push-fit 15mm copper pipe to BSEN1057 (not suitable for 14.7mm copper pipe)

Outlet connections: 1/2" BSP Flat Face

Reversed inlets supported: No

SUPPLY CONDITIONS (hot and cold supplies to be at nominally equal pressure)
Cold water range: Up to 25°C

Hot water range: 50°C-85°C (operating)
55°C-65°C (recommended)

Minimum maintained pressure: 0.5 bar (5 metre head)

Maximum maintained pressure: 5.0 bar (50 metre head)

Maximum static pressure: 10.0 bar (100 metre head)

PERFORMANCE

Flow rate (at overhead): 11 l/min at 0.5 bar

Temperature stability: ± 2°C

SAFETY FEATURES

Automatic shutdown: Shutdown to seepage in 2 secs

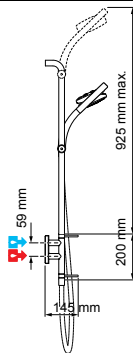
Factory set to safe max temp: Factory set to 45°C

Adjustable maximum temperature for on-site conditions

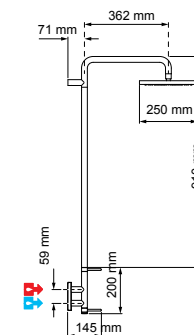
ACCESSORIES

Wide range of accessories available at www.mirashowers-store.co.uk

TECH DRAWINGS



TECH DRAWINGS



THE **MIRA AGILE** IS A RANGE OF EXPOSED MIXER VALVES WHICH ARE PERFECT FOR BRAND NEW INSTALLATIONS. THEIR UNIBODY DESIGN PROVIDES A SUPERB FINISH, PLUS THE UNIQUE AND INNOVATIVE INSTALLATION SYSTEM CREATES A COMPLETELY HASSLE AND SPANNER-FREE FITTING PROCESS



Left to right - Mira Agile S EV, Mira Agile EV, Mira Agile Store EV+, Mira Agile Sense ERD+. See page 32 onwards for the full range.

GREAT FOR YOU

- 1 Magni-Flo™ technology – delivers up to 3x more water than the closest competitor
- 2 Thermostatic temperature stability
- 3 Spanner-free installation and servicing
- 4 Pipe and tiling templates included for 1st fix simplicity
- 5 Patented in-valve push fit connection halves 2nd fix installation time
- 6 Pipe centres precisely 50mm apart to allow for a standard pipe slice

GREAT FOR YOUR CUSTOMER

- 1 Neat contemporary design delivering a powerful showering experience
- 2 Intuitive shower controls
- 3 Unique unibody design means there aren't any fixings on show and it makes cleaning easy
- 4 Compatible with a range of high-design, plug-in accessories including Mira Sense, Mira Store, Mira Park and Mira Cleanse modules www.mirashowers-store.co.uk

SPANNER-FREE INSTALLATION NOW THAT'S REALLY SOMETHING TO CONSIDER!

FIRST FIX KIT

Incorporates a precise pipe spacer and tile guide for a flawless finish with minimum effort.

PUSH-FIT CONNECTIONS

For the first time ever, simply push on to 15mm copper pipe and secure with a single grub screw for a watertight connection.

50MM PIPE CENTRES

Precisely spaced to allow for the use of a standard pipe slice.

UNIBODY DESIGN

A unique, single piece brass body that fits perfectly against tiles without any fixings visible for the neatest of finishes.

Every single aspect of our sleek new Mira Agile mixer range has been carefully considered with you, the installer, in mind. The perfect choice for new bathroom installations, Mira Agile comes complete with pipe and tiling templates, 50mm pipe centres for ease of cutting and patented in-valve push-fit connections. So, it's not just easy to install, it's completely spanner-free – making 1st fix simple and 2nd fix up to twice as quick. What's more, with a revolutionary unibody design, large, long life filters, and a replaceable cartridge, you know you're fitting a shower that means business.



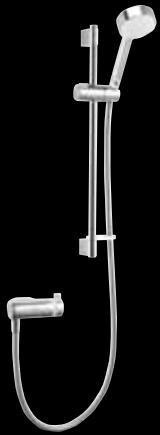
Scan me to see how easy Mira Agile is to fit

MIRA AGILE S EV

Part Number: EV, Chrome: 1.1736.401

EXPERTLY
DESIGNED TO
FIT QUICKLY AND
EASILY INTO ANY
NEW BATHROOM

FOR CUSTOMERS WHO
WANT TO CONTROL FLOW
– SEE PAGE 34



HIGH PERFORMANCE

Magni-Flo™ gives up to 3x more flow

TEMPERATURE CONTROL

Thermostatic temperature stability

EASY TO FIT

Spanner-free installation

Pipe and tiling templates included

Patented in-valve push fit connection

Pipe centres 50mm apart

Adjustable slide bar fixings

EASY TO SERVICE

Large, long-life filters and replaceable cartridge

FOR YOUR CUSTOMER

One control for on/off and temperature

1 spray 9cm showerhead with rub clean nozzles



TECH DETAILS

TEMPERATURE CONTROL

Control type: Thermostatic

INSTALLATION

Water entry points: Rear only

Inlet connections: 15 mm copper pipe

Outlet connections: ½" BSP Male Flat Face

Reversed inlets supported: No

SUPPLY CONDITIONS (hot and cold supplies to be at nominally equal pressure)

Cold water range: Up to 25°C

Hot water range: 50°C-85°C (operating)
55°C-65°C (recommended)

Minimum maintained pressure: 0.1 bar (1 metre head)

Maximum maintained pressure: 5.0 bar (50 metre head)

Maximum static pressure: 10.0 bar (100 metre head)

PERFORMANCE

Flow rate (at handset): 11.9 l/min @ 0.5 Bar

Temperature stability: ± 2°C

SAFETY FEATURES

Automatic shutdown: Shutdown to seepage in 2 secs

Factory set to safe max temp: Factory set to 43°C

ACCESSORIES

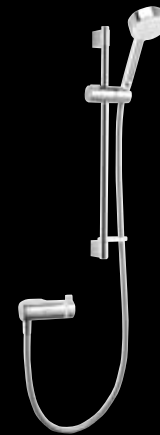
Style matched accessories available at www.mirashowers-store.co.uk

MIRA AGILE S EV ECO

Part Number: EV, Chrome: 1.1736.400

EXPERTLY
DESIGNED TO
FIT QUICKLY AND
EASILY INTO ANY
NEW BATHROOM

FOR CUSTOMERS WHO
WANT TO CONTROL FLOW
– SEE PAGE 35



SAVES WATER

6 l/min flow regulator. Meets the Code for Sustainable Homes

TEMPERATURE CONTROL

Thermostatic temperature stability

EASY TO FIT

Spanner-free installation

Pipe and tiling templates included

Patented in-valve push fit connection

Pipe centres 50mm apart

Adjustable slide bar fixings

EASY TO SERVICE

Large, long-life filters and replaceable cartridge

FOR YOUR CUSTOMER

One control for on/off and temperature

1 spray 9cm showerhead with rub clean nozzles



TECH DETAILS

TEMPERATURE CONTROL

Control type: Thermostatic

INSTALLATION

Water entry points: Rear only

Inlet connections: 15mm copper pipe

Outlet connections: ½" BSP Male Flat Face

Reversed inlets supported: No

SUPPLY CONDITIONS (hot and cold supplies to be at nominally equal pressure)

Cold water range: Up to 25°C

Hot water range: 50°C-85°C (operating)
55°C-65°C (recommended)

Minimum maintained pressure: 0.5 bar (5 metre head)

Maximum maintained pressure: 5.0 bar (50 metre head)

Maximum static pressure: 10.0 bar (100 metre head)

PERFORMANCE

Flow rate (at handset): 6 l/min @ 0.5 Bar

Temperature stability: ± 2°C

SAFETY FEATURES

Automatic shutdown: Shutdown to seepage in 2 secs

Factory set to safe max temp: Factory set to 43°C

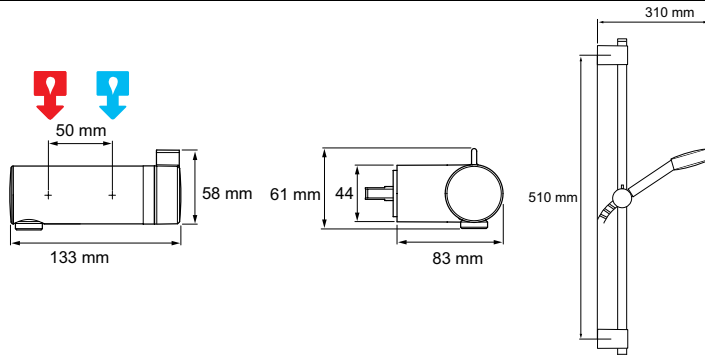
ACCESSORIES

Style matched accessories available at www.mirashowers-store.co.uk

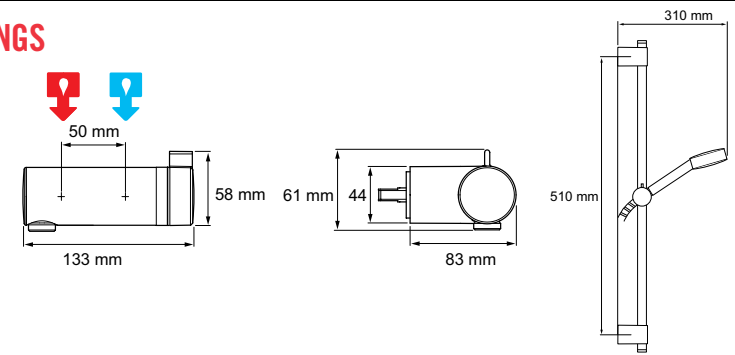
TECH DRAWINGS



See Magni-Flo™ in action by scanning this QR code



TECH DRAWINGS



MIRA AGILE EV

Part Number: EV, Chrome: 1.1736.402

EXPERTLY DESIGNED
TO FIT QUICKLY AND
EASILY INTO ANY
NEW BATHROOM



TECH DETAILS

TEMPERATURE CONTROL

Control type: Thermostatic

INSTALLATION

Water entry points: Rear only

Inlet connections: 15 mm copper pipe

Outlet connections: 1/2" BSP Male Flat Face

Reversed inlets supported: No

SUPPLY CONDITIONS (hot and cold supplies to be at nominally equal pressure)

Cold water range: Up to 25°C

Hot water range: 50°C-85°C (operating)

55°C-65°C (recommended)

Minimum maintained pressure: 0.1 bar (1 metre head)

Maximum maintained pressure: 5.0 bar (50 metre head)

Maximum static pressure: 10.0 bar (100 metre head)

PERFORMANCE

Flow rate (at handset): 13 l/min @ 0.5 Bar

Temperature stability: ± 2°C

SAFETY FEATURES

Automatic shutdown: Shutdown to seepage in 2 secs

Factory set to safe max temp: Factory set to 43°C

ACCESSORIES

Style matched accessories available at www.mirashowers-store.co.uk

HIGH PERFORMANCE

Magni-Flo™ gives up to 3x more flow

TEMPERATURE CONTROL

Thermostatic temperature stability

EASY TO FIT

Spanner-free installation

Pipe and tiling templates

Patented in-valve push fit connection

Pipe centres 50mm apart

Adjustable slide bar fixings

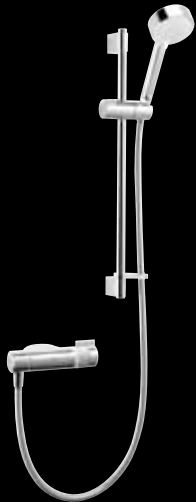
EASY TO SERVICE

Large, long-life filters and replaceable cartridge

FOR YOUR CUSTOMER

Separate flow and temperature controls

4 spray 9cm showerhead with rub clean nozzles



MIRA AGILE EV ECO

Part Number: EV, Chrome: 1.1736.422

EXPERTLY DESIGNED
TO FIT QUICKLY AND
EASILY INTO ANY
NEW BATHROOM



TECH DETAILS

TEMPERATURE CONTROL

Control type: Thermostatic

INSTALLATION

Water entry points: Rear only

Inlet connections: 15 mm copper pipe

Outlet connections: 1/2" BSP Male Flat Face

Reversed inlets supported: No

SUPPLY CONDITIONS (hot and cold supplies to be at nominally equal pressure)

Cold water range: Up to 25°C

Hot water range: 50°C-85°C (operating)

55°C-65°C (recommended)

Minimum maintained pressure: 0.1 bar (1 metre head)

Maximum maintained pressure: 5.0 bar (50 metre head)

Maximum static pressure: 10.0 bar (100 metre head)

PERFORMANCE

Flow rate (at handset): 6 l/min @ 0.5 Bar

Temperature stability: ± 2°C

SAFETY FEATURES

Automatic shutdown: Shutdown to seepage in 2 secs

Factory set to safe max temp: Factory set to 43°C

ACCESSORIES

Style matched accessories available at www.mirashowers-store.co.uk

SAVES WATER

6 l/min flow regulator. Meets the Code for Sustainable Homes

TEMPERATURE CONTROL

Thermostatic temperature stability

EASY TO FIT

Spanner-free installation

Pipe and tiling templates

Patented in-valve push fit connection

Pipe centres 50mm apart

Adjustable slide bar fixings

EASY TO SERVICE

Large, long-life filters and replaceable cartridge

FOR YOUR CUSTOMER

Separate flow and temperature controls

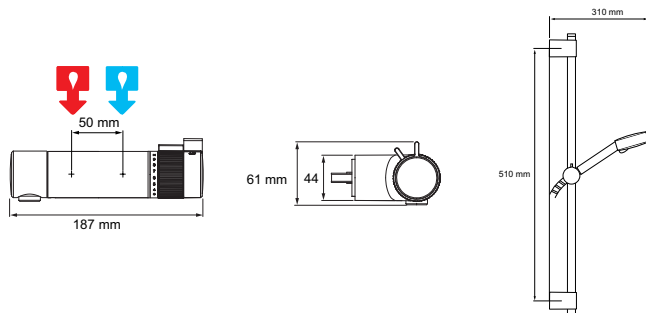
4 spray 9cm showerhead with rub clean nozzles



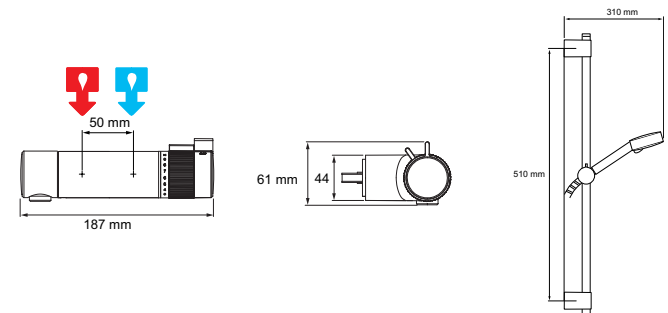
TECH DRAWINGS



See Magni-Flo™ in action by scanning this QR code



TECH DRAWINGS



MIRA AGILE ERD

Part Number: EV, Chrome: 1.1736.403

IDEAL FOR NEW BATHROOMS. BOTH HEADS WORK AT ONCE, EVEN AT 0.1 BAR PRESSURE



HIGH PERFORMANCE

Magni-Flo™ gives up to 3x more flow

TEMPERATURE CONTROL

Thermostatic temperature stability

EASY TO FIT

Spanner-free installation
Pipe and tiling templates
Patented in-valve push fit connection
Pipe centres 50mm apart
Adjustable slide bar fixings

EASY TO SERVICE

Large, long-life filters and replaceable cartridge

FOR YOUR CUSTOMER

Separate flow and temperature controls
Divert between the two heads or have both on at the same time
20cm deluge fixed head plus separate 9cm showerhead



TECH DETAILS

TEMPERATURE CONTROL

Control type: Thermostatic

INSTALLATION

Water entry points: Rear only

Inlet connections: 15 mm copper pipe

Outlet connections: ½" BSP Male Flat Face

Reversed inlets supported: No

SUPPLY CONDITIONS (hot and cold supplies to be at nominally equal pressure)
Cold water range: Up to 25°C

Hot water range: 50°C-85°C (operating)
55°C-65°C (recommended)

Minimum maintained pressure: 0.1 bar (1 metre head)

Maximum maintained pressure: 5.0 bar (50 metre head)

Maximum static pressure: 10.0 bar (100 metre head)

PERFORMANCE

Flow rate (at handset) 13 l/min @ 0.5 bar

Flow rate (at overhead) 11.3 l/min @ 0.5 bar

Flow rate (combined) 15.9 l/min @ 0.5 bar

Temperature stability: ± 2°C

SAFETY FEATURES

Automatic shutdown: Shutdown to seepage in 2 secs

Factory set to safe max temp: Factory set to 43°C

ACCESSORIES

Style matched accessories available at www.mirashowers-store.co.uk

MIRA AGILE STORE EV+

Part Number: EV, Chrome: 1.1736.413

EXPERTLY DESIGNED TO FIT QUICKLY AND EASILY INTO ANY NEW BATHROOM



HIGH PERFORMANCE

Magni-Flo™ gives up to 3x more flow

TEMPERATURE CONTROL

Thermostatic temperature stability

EASY TO FIT

Spanner-free installation
Pipe and tiling templates
Patented in-valve push fit connection
Pipe centres 50mm apart
Adjustable slide bar fixings

EASY TO SERVICE

Large, long-life filters and replaceable cartridge

FOR YOUR CUSTOMER

Separate flow and temperature controls
Complete with integrated storage solution
4 spray 11cm showerhead with rub clean nozzles



TECH DETAILS

TEMPERATURE CONTROL

Control type: Thermostatic

INSTALLATION

Water entry points: Rear only

Inlet connections: 15mm copper pipe

Outlet connections: ½" BSP Male Flat Face

Reversed inlets supported: No

SUPPLY CONDITIONS (hot and cold supplies to be at nominally equal pressure)
Cold water range: Up to 25°C

Hot water range: 50°C-85°C (operating)
55°C-65°C (recommended)

Minimum maintained pressure: 0.1 bar (1 metre head)

Maximum maintained pressure: 5.0 bar (50 metre head)

Maximum static pressure: 10.0 bar (100 metre head)

PERFORMANCE

Flow rate (at handset): 9.5 l/min @ 0.5 Bar

Temperature stability: ± 2°C

SAFETY FEATURES

Automatic shutdown: Shutdown to seepage in 2 secs

Factory set to safe max temp: Factory set to 43°C

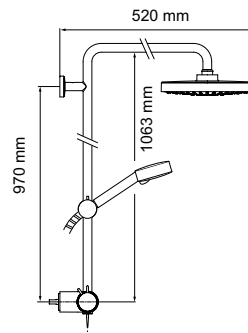
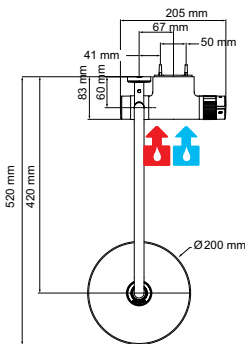
ACCESSORIES

Style matched accessories available at www.mirashowers-store.co.uk

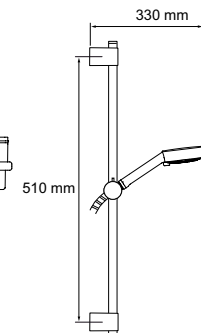
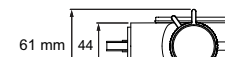
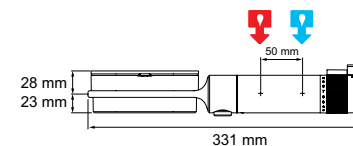
TECH DRAWINGS



See Magni-Flo™ in action by scanning this QR code



TECH DRAWINGS



See Magni-Flo™ in action by scanning this QR code



MIRA AGILE SENSE EV+

Part Number: EV, Chrome: 1.1736.412

EXPERTLY DESIGNED
TO FIT QUICKLY AND
EASILY INTO ANY
NEW BATHROOM



TECH DETAILS

TEMPERATURE CONTROL

Control type: Thermostatic

INSTALLATION

Water entry points: Rear only

Inlet connections: 15 mm copper pipe

Outlet connections: 1/2" BSP Male Flat Face

Reversed inlets supported: No

SUPPLY CONDITIONS (hot and cold supplies to be at nominally equal pressure)

Cold water range: Up to 25°C

Hot water range: 50°C-85°C (operating)
55°C-65°C (recommended)

Minimum maintained pressure: 0.1 bar (1 metre head)

Maximum maintained pressure: 5.0 bar (50 metre head)

Maximum static pressure: 10.0 bar (100 metre head)

PERFORMANCE

Flow rate (at handset): 9.5 l/min @ 0.5 Bar

Temperature stability: ± 2°C

SAFETY FEATURES

Automatic shutdown: Shutdown to seepage in 2 secs

Factory set to safe max temp: Factory set to 43°C

ACCESSORIES

Style matched accessories available at www.mirashowers-store.co.uk

HIGH PERFORMANCE

Magni-Flo™ gives up to 3x more flow

TEMPERATURE CONTROL

Thermostatic temperature stability

EASY TO FIT

Spanner-free installation

Pipe and tiling templates

Patented in-valve push fit connection

Pipe centres 50mm apart

Adjustable slide bar fixings

EASY TO SERVICE

Large, long-life filters and replaceable cartridge

FOR YOUR CUSTOMER

Separate flow and temperature controls

Integrated Mira Sense module displays time and temperature

4 spray 11cm showerhead with rub clean nozzles



MIRA AGILE SENSE ERD+

Part Number: EV, Chrome: 1.1736.414

IDEAL FOR NEW
BATHROOMS. BOTH
HEADS WORK AT
ONCE, EVEN AT 0.1
BAR PRESSURE



TECH DETAILS

TEMPERATURE CONTROL

Control type: Thermostatic

INSTALLATION

Water entry points: Rear only

Inlet connections: 15mm copper pipe

Outlet connections: 1/2" BSP Male Flat Face

Reversed inlets supported: No

SUPPLY CONDITIONS (hot and cold supplies to be at nominally equal pressure)

Cold water range: Up to 25°C

Hot water range: 50°C-85°C (operating)
55°C-65°C (recommended)

Minimum maintained pressure: 0.1 bar (1 metre head)

Maximum maintained pressure: 5.0 bar (50 metre head)

Maximum static pressure: 10.0 bar (100 metre head)

PERFORMANCE

Flow rate (at handset): 9.5 l/min @ 0.5 bar

Flow rate (at overhead): 11.2 l/min @ 0.5 bar

Flow rate (combined): 12.3 l/min @ 0.5 bar

Temperature stability: ± 2°C

SAFETY FEATURES

Automatic shutdown: Shutdown to seepage in 2 secs

Factory set to safe max temp: Factory set to 43°C

ACCESSORIES

Style matched accessories available at www.mirashowers-store.co.uk

HIGH PERFORMANCE

Magni-Flo™ gives up to 3x more flow

TEMPERATURE CONTROL

Thermostatic temperature stability

EASY TO FIT

Spanner-free installation

Pipe and tiling templates

Patented in-valve push fit connection

Pipe centres 50mm apart

Adjustable slide bar fixings

EASY TO SERVICE

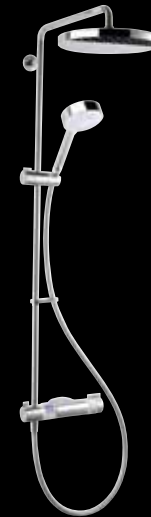
Large, long-life filters and replaceable cartridge

FOR YOUR CUSTOMER

Separate flow and temperature controls

Divert between the two heads or have both on at the same time

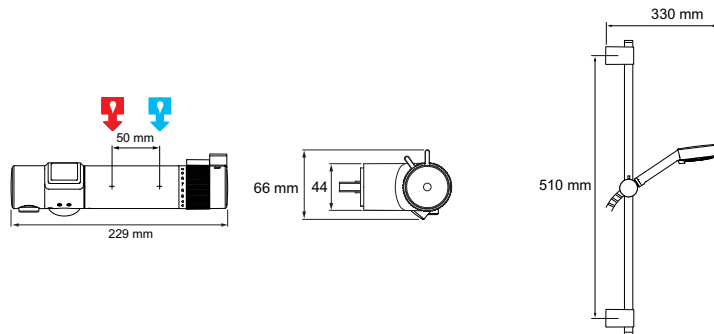
1 spray 25cm deluge fixed head plus 4 spray showerhead



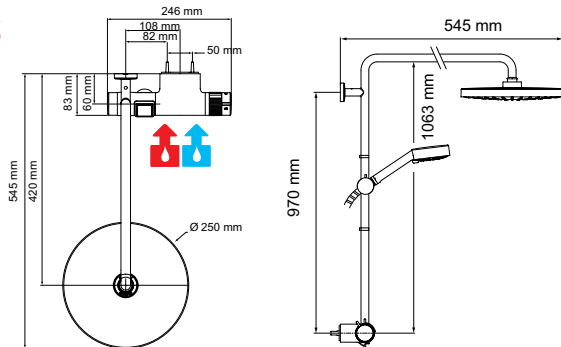
TECH DRAWINGS



See Magni-Flo™ in action by scanning this QR code



TECH DRAWINGS



See Magni-Flo™ in action by scanning this QR code



DESIGNED TO BE THE SMALLEST BUILT-IN MIXERS ON THE MARKET, THE **MIRA ADEPT** RANGE MAY BE INSIGNIFICANT IN SIZE, BUT WHEN IT COMES TO PERFORMANCE THEY'RE PRETTY FAR FROM INSIGNIFICANT. AND SUCH A COMPACT DESIGN MEANS THAT THE WALL OPENING NEEDED TO INSTALL THE UNIT IS DRASTICALLY REDUCED SAVING YOU VALUABLE TIME AND EFFORT



Left to right - Mira Adept BIV, Mira Adept BRD, Mira Adept BIR+. See page 42 onwards for the full range.

GREAT FOR YOU

- 1 Magni-Flo™ technology – delivers up to 3x more water than the closest competitor
- 2 Thermostatic temperature stability
- 3 Suitable for all plumbing systems (eco version requires 0.5 bar pressure)
- 4 Miniature valve body, plus plastic backplate for easy mounting to wall / stud work
- 5 Variable valve building in depth between 51mm – 70mm, with template included

GREAT FOR YOUR CUSTOMER

- 1 A stylish integrated look with great performance
- 2 Separate flow and temperature controls to fine tune the perfect shower
- 3 Rub clean nozzles on the showerhead prevent lime-scale build up
- 4 Compatible with a range of high-design, plug-in accessories including Mira Store, Mira Cleanse and Mira Park modules



Enhance your customer's Mira Adept with one or more of these fantastic editions.

Mira Store, Mira Cleanse and Mira Park modules available at www.mirashowers-store.co.uk



Mira Store



Mira Cleanse



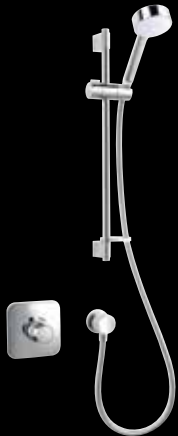
Mira Park

MIRA ADEPT BIV

Part Number: EV, Chrome: 1.1736.404

CAREFULLY
CONSIDERED
DESIGN FOR
BRAND NEW
INSTALLATIONS

FOR CUSTOMERS WHO
WANT TO SAVE WATER
– SEE PAGE 43



HIGH PERFORMANCE

Magni-Flo™ gives up to 3x more flow

TEMPERATURE CONTROL

Thermostatic temperature stability

EASY TO FIT

Miniature valve body, plus plastic backplate for easy mounting to wall / stud work

Variable valve building in depth between 51mm-70mm, with template included

2nd fix tile-mounted outlet for the hose

EASY TO SERVICE

Large, long-life filters and replaceable cartridge

FOR YOUR CUSTOMER

Separate flow and temperature controls

4 spray 9cm showerhead with rub clean nozzles



TECH DETAILS

TEMPERATURE CONTROL

Control type: Thermostatic

INSTALLATION

Water entry points: side only

Inlet connections: 15 mm compression

Outlet connections: 15 mm compression top outlet

Reversed inlets supported: No

SUPPLY CONDITIONS (hot and cold supplies to be at nominally equal pressure)

Cold water range: Up to 25°C

Hot water range: 50°C-85°C (operating)
55°C-65°C (recommended)

Minimum maintained pressure: 0.1 bar (1 metre head) to showerhead

Maximum maintained pressure: 5.0 bar (50 metre head)

Maximum static pressure: 10.0 bar (100 metre head)

PERFORMANCE

Flow rate (at handset): 13 l/min @ 0.5 Bar

Temperature stability: ± 2°C

SAFETY FEATURES

Automatic shutdown: Shutdown to seepage in 2 secs

Factory set to safe max temp: Factory set to 43°C

ACCESSORIES

Style matched accessories available at www.mirashowers-store.co.uk

MIRA ADEPT BIV ECO

Part Number: EV, Chrome: 1.1736.423

CAREFULLY
CONSIDERED
DESIGN FOR
BRAND NEW
INSTALLATIONS



SAVES WATER

6 l/min flow regulator. Meets the Code for Sustainable Homes

TEMPERATURE CONTROL

Thermostatic temperature stability

EASY TO FIT

Miniature valve body, plus plastic backplate for easy mounting to wall / stud work

Variable valve building in depth between 51mm-70mm, with template included

2nd fix tile-mounted outlet for the hose

EASY TO SERVICE

Large, long-life filters and replaceable cartridge

FOR YOUR CUSTOMER

Separate flow and temperature controls

4 spray 9cm showerhead with rub clean nozzles



TECH DETAILS

TEMPERATURE CONTROL

Control type: Thermostatic

INSTALLATION

Water entry points: Side only

Inlet connections: 15mm compression

Outlet connections: 15mm compression top outlet

Reversed inlets supported: No

SUPPLY CONDITIONS (hot and cold supplies to be at nominally equal pressure)

Cold water range: Up to 25°C

Hot water range: 50°C-85°C (operating)
55°C-65°C (recommended)

Minimum maintained pressure: 0.1 bar (1 metre head)

Maximum maintained pressure: 5.0 bar (50 metre head)

Maximum static pressure: 10.0 bar (100 metre head)

PERFORMANCE

Flow rate (at handset): 6 l/min @ 0.5 Bar

Temperature stability: ± 2°C

SAFETY FEATURES

Automatic shutdown: Shutdown to seepage in 2 secs

Factory set to safe max temp: Factory set to 43°C

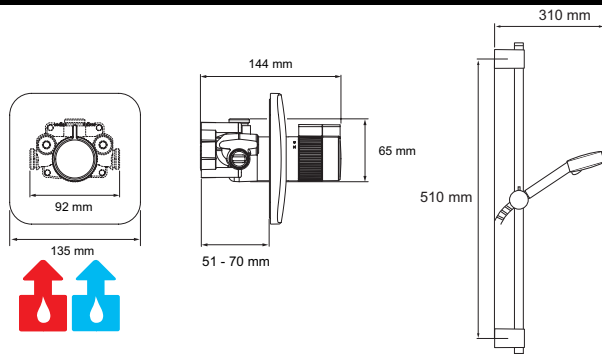
ACCESSORIES

Style matched accessories available at www.mirashowers-store.co.uk

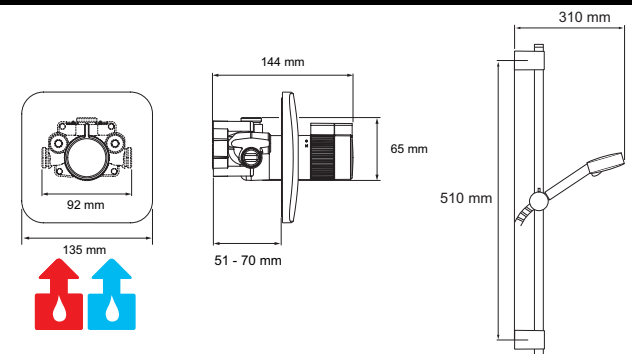
TECH DRAWINGS



See Magni-Flo™ in action by scanning this QR code



TECH DRAWINGS



MIRA ADEPT BIR

Part Number: EV, Chrome: 1.1736.405

CAREFULLY
CONSIDERED DESIGN
FOR BRAND NEW
INSTALLATIONS



HIGH PERFORMANCE

Magni-Flo™ gives up to 3x more flow

TEMPERATURE CONTROL

Thermostatic temperature stability

EASY TO FIT

Miniature valve body, plus plastic backplate for easy mounting to wall / stud work

Variable valve building in depth between 51mm-70mm, with template included

2nd fix tile-mounted showerhead arm

EASY TO SERVICE

Large, long-life filters and replaceable cartridge

FOR YOUR CUSTOMER

Separate flow and temperature controls

1 spray 20cm deluge fixed head with rub clean nozzles



TECH DETAILS

TEMPERATURE CONTROL

Control type: Thermostatic

INSTALLATION

Water entry points: side only

Inlet connections: 15 mm compression

Outlet connections: 15 mm compression top outlet

Reversed inlets supported: No

SUPPLY CONDITIONS (hot and cold supplies to be at nominally equal pressure)

Cold water range: Up to 25°C

Hot water range: 50°C-85°C (operating)
55°C-65°C (recommended)

Minimum maintained pressure: 0.1 bar (1 metre head) to showerhead

Maximum maintained pressure: 5.0 bar (50 metre head)

Maximum static pressure: 10.0 bar (100 metre head)

PERFORMANCE

Flow rate (at handset): 11.3 l/min @ 0.5 Bar

Temperature stability: ± 2°C

SAFETY FEATURES

Automatic shutdown: Shutdown to seepage in 2 secs

Factory set to safe max temp: Factory set to 43°C

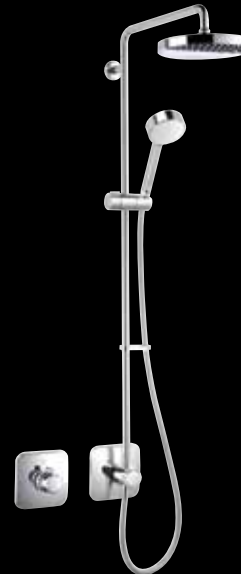
ACCESSORIES

Style matched accessories available at www.mirashowers-store.co.uk

MIRA ADEPT BRD

Part Number: EV, Chrome: 1.1736.406

CAREFULLY
CONSIDERED DESIGN
FOR BRAND NEW
INSTALLATIONS



HIGH PERFORMANCE

Magni-Flo™ gives up to 3x more flow

TEMPERATURE CONTROL

Thermostatic temperature stability

EASY TO FIT

Miniature valve body, plus plastic backplate for easy mounting to wall / stud work

Variable valve building in depth between 51mm-70mm, with template included

2nd fix tile-mounted wall outlet

EASY TO SERVICE

Large, long-life filters and replaceable cartridge

FOR YOUR CUSTOMER

Separate flow and temperature controls

1 spray 20cm deluge head plus 1 spray showerhead with rub clean nozzles



TECH DETAILS

TEMPERATURE CONTROL

Control type: Thermostatic

INSTALLATION

Water entry points: Side only

Inlet connections: 15mm compression

Outlet connections: 15mm compression top outlet

Reversed inlets supported: No

SUPPLY CONDITIONS (hot and cold supplies to be at nominally equal pressure)

Cold water range: Up to 25°C

Hot water range: 50°C-85°C (operating)
55°C-65°C (recommended)

Minimum maintained pressure: 0.1 bar (1 metre head)

Maximum maintained pressure: 5.0 bar (50 metre head)

Maximum static pressure: 10.0 bar (100 metre head)

PERFORMANCE

Flow rate (at handset) 13 l/min @ 0.5 bar

Flow rate (at overhead) 11.3 l/min @ 0.5 bar

Flow rate (combined) 15.9 l/min @ 0.5 bar

Temperature stability: ± 2°C

SAFETY FEATURES

Automatic shutdown: Shutdown to seepage in 2 secs

Factory set to safe max temp: Factory set to 43°C

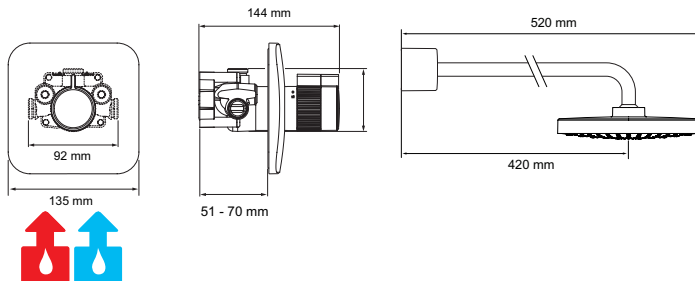
ACCESSORIES

Style matched accessories available at www.mirashowers-store.co.uk

TECH DRAWINGS



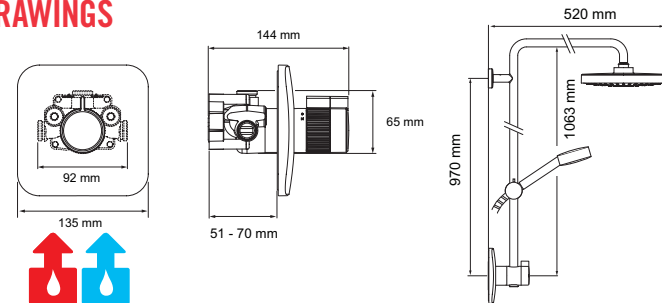
See Magni-Flo™ in action by scanning this QR code



TECH DRAWINGS



See Magni-Flo™ in action by scanning this QR code



MIRA ADEPT BIR+

Part Number: EV, Chrome: 1.1736.416

CAREFULLY
CONSIDERED DESIGN
FOR BRAND NEW
INSTALLATIONS



HIGH PERFORMANCE

Magni-Flo™ gives up to 3x more flow

TEMPERATURE CONTROL

Thermostatic temperature stability

EASY TO FIT

Miniature valve body, plus plastic backplate for easy mounting to wall / stud work

Variable valve building in depth between 51mm-70mm, with template included

2nd fix tile-mounted showerhead arm

EASY TO SERVICE

Large, long-life filters and replaceable cartridge

FOR YOUR CUSTOMER

Separate flow and temperature controls

1 spray 25cm deluge fixed head with rub clean nozzles



TECH DETAILS

TEMPERATURE CONTROL

Control type: Thermostatic

INSTALLATION

Water entry points: side only

Inlet connections: 15 mm compression

Outlet connections: 15 mm compression top outlet

Reversed inlets supported: No

SUPPLY CONDITIONS (hot and cold supplies to be at nominally equal pressure)

Cold water range: Up to 25°C

Hot water range: 50°C-85°C (operating)
55°C-65°C (recommended)

Minimum maintained pressure: 0.1 bar (1 metre head) to showerhead

Maximum maintained pressure: 5.0 bar (50 metre head)

Maximum static pressure: 10.0 bar (100 metre head)

PERFORMANCE

Flow rate (at handset): 11.2 l/min @ 0.5 Bar

Temperature stability: ± 2°C

SAFETY FEATURES

Automatic shutdown: Shutdown to seepage in 2 secs

Factory set to safe max temp: Factory set to 43°C

ACCESSORIES

Style matched accessories available at www.mirashowers-store.co.uk

MIRA ADEPT BRD+

Part Number: EV, Chrome: 1.1736.415

CAREFULLY
CONSIDERED DESIGN
FOR BRAND NEW
INSTALLATIONS



TECH DETAILS

TEMPERATURE CONTROL

Control type: Thermostatic

INSTALLATION

Water entry points: Side only

Inlet connections: 15mm compression

Outlet connections: 15mm compression top outlet

Reversed inlets supported: No

SUPPLY CONDITIONS (hot and cold supplies to be at nominally equal pressure)

Cold water range: Up to 25°C

Hot water range: 50°C-85°C (operating)
55°C-65°C (recommended)

Minimum maintained pressure: 0.1 bar (1 metre head)

Maximum maintained pressure: 5.0 bar (50 metre head)

Maximum static pressure: 10.0 bar (100 metre head)

PERFORMANCE

Flow rate (at handset) 9.5 l/min @ 0.5 bar

Flow rate (at overhead) 11.2 l/min @ 0.5 bar

Flow rate (combined) 12.3 l/min @ 0.5 bar

Temperature stability: ± 2°C

SAFETY FEATURES

Automatic shutdown: Shutdown to seepage in 2 secs

Factory set to safe max temp: Factory set to 43°C

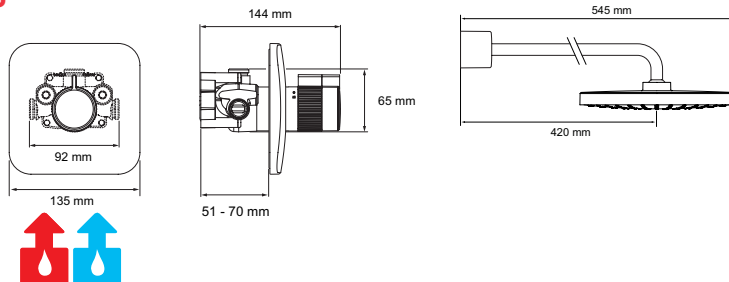
ACCESSORIES

Style matched accessories available at www.mirashowers-store.co.uk

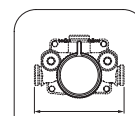
TECH DRAWINGS



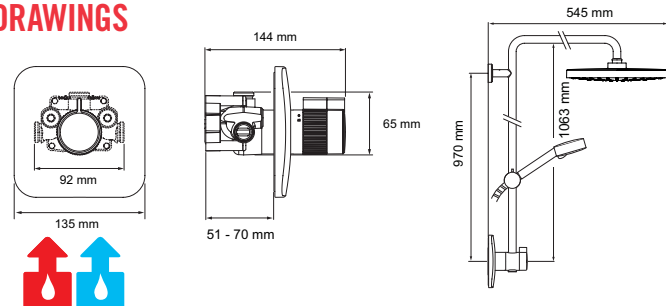
See Magni-Flo™ in action by scanning this QR code



TECH DRAWINGS



See Magni-Flo™ in action by scanning this QR code



MIRA EXPOSED MIXERS WITH STANDARD 153MM CENTRES

HERE AT MIRA WE'VE GOT A RANGE OF EXPOSED MIXERS THAT ARE DESIGNED TO FIT NEATLY ONTO STANDARD 153MM PIPE CENTRES. THE RANGE INCLUDES **MIRA EXCEL** – THE UK'S BEST SELLING MIXER SHOWER, WHICH IS UNBEATABLE ON ALL PRESSURES. MANY OF OUR MIXERS HAVE CLEVER FEATURES LIKE ADJUSTABLE PIPE/FIXING CENTRES AND FRONT OF TILE (2ND FIX) FIXINGS TO MAKE FITTING OUR MIXERS EASY. ALL PATENTED OF COURSE. MANY OF THE VALVES ARE ALSO AVAILABLE BUILT-IN.



MIRA ELEMENT

Part Number: EV, Chrome: 1.1656.001
 Part Number: BIV, Chrome: 1.1656.002
 Part Number: BIR, Chrome: 1.1656.003



THE PERFECT FIT NO MATTER WHAT THE JOB

FOR CUSTOMERS WHO WANT TO CONTROL FLOW – SEE PAGE 52

HIGH PERFORMANCE

Magni-Flo™ gives up to 3x more flow

TEMPERATURE CONTROL

Thermostatic temperature stability

EASY TO FIT

Quickly and easily fits onto reversed inlet supplies

Adjustable sidebar fits over holes left by previous shower kit (400mm-600mm)

EASY TO SERVICE

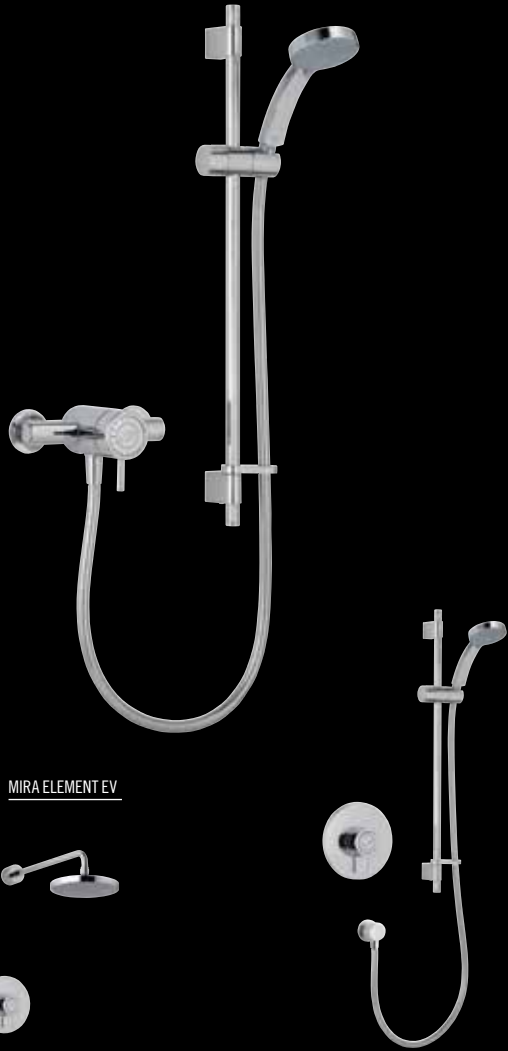
Large, long-life filters and replaceable cartridge

FOR YOUR CUSTOMER

One control for on/off and temperature

Approved to TMV2 – for the ultimate in comfortable showering

4 spray 9 cm showerhead with rub clean nozzles



MIRA ELEMENT EV



MIRA ELEMENT BIR



MIRA ELEMENT BIV

TECH DETAILS

TEMPERATURE CONTROL

Control type: Thermostatic

INSTALLATION

Water entry points: Rising, falling or rear

Inlet connections: 15mm compression (EV, BIV & BIR)

Outlet connections: ½" BSP Flat Face (EV) or 15mm compression (BIV & BIR)

Reversed inlets supported: Yes

SUPPLY CONDITIONS (hot and cold supplies to be at nominally equal pressure)

Cold water range: Up to 25°C

Hot water range: 50°C-85°C (operating); 55°C-65°C (recommended)

Minimum maintained pressure: 0.1 bar (1 metre head)

Maximum maintained pressure: 5.0 bar (50 metre head)

Maximum static pressure: 10.0 bar (100 metre head)

PERFORMANCE

Flow rate (at handset): 13 l/min at 0.5 bar

Temperature stability: ± 2°C

SAFETY FEATURES

Automatic shutdown: Shutdown to seepage in 2 seconds

Factory set to safe max temp: Factory set to 41°C

Adjustable maximum temperature for on-site conditions

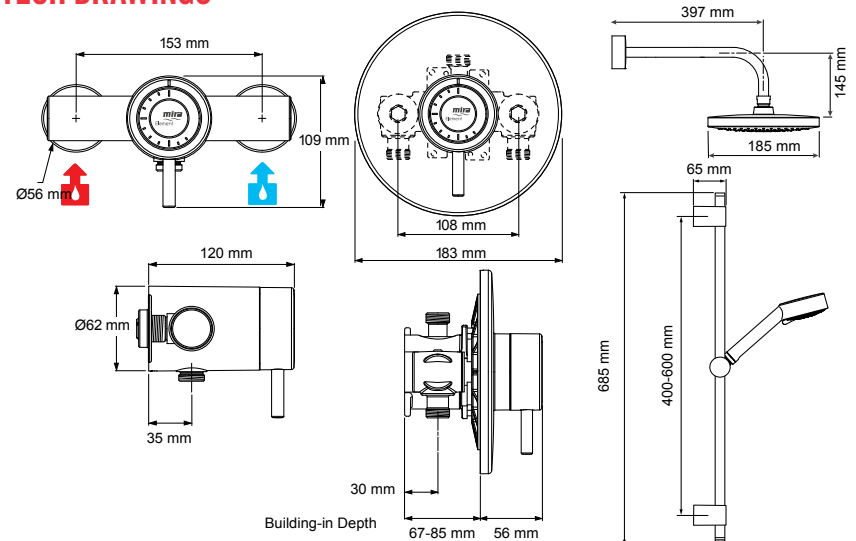
ACCESSORIES

Wide range of accessories available at www.mirashowers-store.co.uk

See Magni-Flo™ in action by scanning this QR code



TECH DRAWINGS



MIRA ELEMENT SLT

Part Number: EV, Chrome: 1.1656.011
 Part Number: BIV, Chrome: 1.1656.012
 Part Number: BIR, Chrome: 1.1656.013



THE PERFECT FIT NO MATTER WHAT THE JOB

HIGH PERFORMANCE

Magni-Flo™ gives up to 3x more flow

TEMPERATURE CONTROL

Thermostatic temperature stability

EASY TO FIT

Quickly and easily fits onto reversed inlet supplies

EASY TO SERVICE

Large, long-life filters and replaceable cartridge

FOR YOUR CUSTOMER

Lift and twist – one lever control for flow and temperature

Approved to TMV2 – for the ultimate in comfortable showering

Uses up to 30% less water with the eco flow function (over-rideable)

5 spray 11cm showerhead with rub clean nozzles (except BIR which has one single spray)



MIRA ELEMENT SLT EV

MIRA ELEMENT SLT BIV

MIRA ELEMENT SLT BIR

TECH DETAILS

TEMPERATURE CONTROL

Control type: Thermostatic

INSTALLATION

Water entry points: Rising, falling or rear

Inlet connections: 15mm compression (EV, BIV & BIR)

Outlet connections: ½" BSP Flat Face (EV) or 15mm compression (BIV & BIR)

Reversed inlets supported: Yes

SUPPLY CONDITIONS (hot and cold supplies to be at nominally equal pressure)

Cold water range: Up to 25°C

Hot water range: 50°C-85°C (operating); 55°C-65°C (recommended)

Minimum maintained pressure: 0.1 bar (1 metre head)

Maximum maintained pressure: 5.0 bar (50 metre head)

Maximum static pressure: 10.0 bar (100 metre head)

PERFORMANCE

Flow rate (at handset): 13 l/min at 0.5 bar

Temperature stability: ± 2°C

SAFETY FEATURES

Automatic shutdown: Shutdown to seepage in 2 seconds

Factory set to safe max temp: Factory set to 41°C

Adjustable maximum temperature for on-site conditions

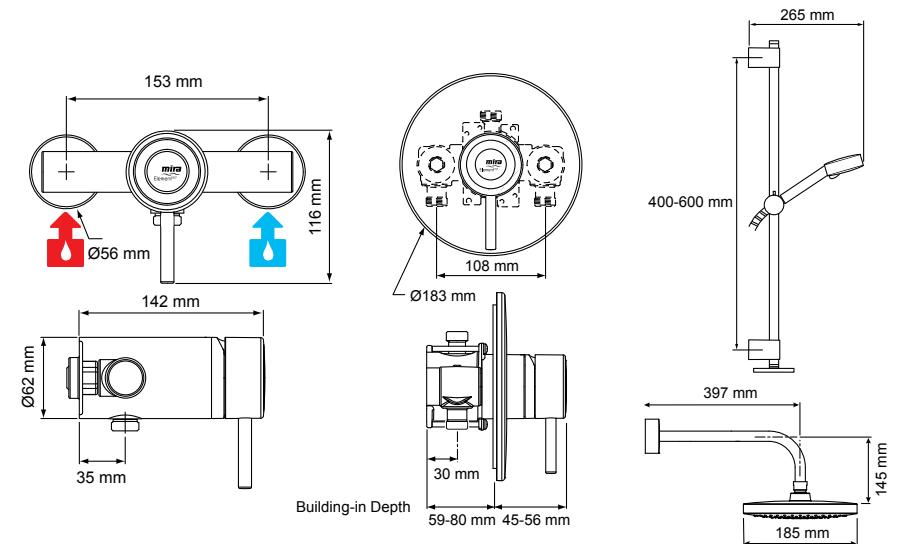
ACCESSORIES

Wide range of accessories available at www.mirashowers-store.co.uk

See Magni-Flo™ in action by scanning this QR code



TECH DRAWINGS



MIRA SILVER

Part Number: EV, Chrome: 1.1628.001
 Part Number: BIV, Chrome: 1.1628.002
 Part Number: BIR, Chrome: 1.1628.003



THE PERFECT FIT NO MATTER WHAT THE JOB

HIGH PERFORMANCE

Magni-Flo™ gives up to 3x more flow

TEMPERATURE CONTROL

Thermostatic temperature stability

EASY TO FIT

Quickly and easily fits onto reversed inlet supplies

EASY TO SERVICE

Large, long-life filters and replaceable cartridge

FOR YOUR CUSTOMER

One control for on/off and temperature

Approved to TMV2 – for the ultimate in comfortable showering

Maximum temperature stop – enhances safety

4 spray 9cm showerhead with rub clean nozzles (except BIR which has one single spray)



MIRA SILVER EV

MIRA SILVER BIR

MIRA SILVER BIV

TECH DETAILS

TEMPERATURE CONTROL

Control type: Thermostatic

INSTALLATION

Water entry points: Rising, falling or rear

Inlet connections: 15mm compression (EV, BIV & BIR)

Outlet connections: ½" BSP Male Flat Face (EV); 15mm compression (BIV & BIR)

Reversed inlets supported: Yes

SUPPLY CONDITIONS (hot and cold supplies to be at nominally equal pressure)

Cold water range: Up to 25°C

Hot water range: 50°C-85°C (operating); 55°C-65°C (recommended)

Minimum maintained pressure: 0.1 bar (1 metre head)

Maximum maintained pressure: 5.0 bar (50 metre head)

Maximum static pressure: 10.0 bar (100 metre head)

PERFORMANCE

Flow rate (at handset): 13 l/min at 0.5 bar

Temperature stability: ± 2°C

SAFETY FEATURES

Automatic shutdown: Shutdown to seepage in 2 seconds

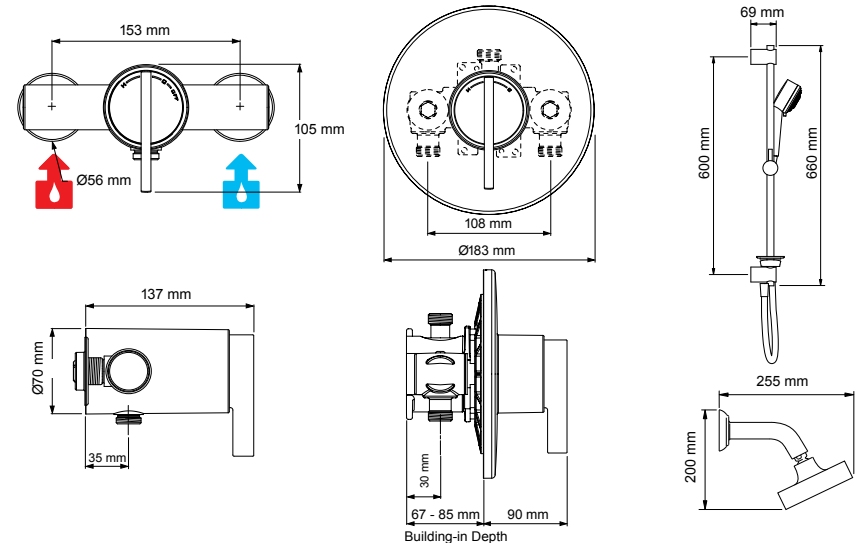
Factory set to safe max temp: Factory set to 43°C

Adjustable maximum temperature for on-site conditions

ACCESSORIES

Wide range of accessories available at www.mirashowers-store.co.uk

TECH DRAWINGS



See Magni-Flo™ in action by scanning this QR code



MIRA DISCOVERY DUAL

Part Number: EV, Chrome: 1.1609.001
 Part Number: BIV, Chrome: 1.1609.002
 Part Number: BIR, Chrome: 1.1609.003

THE PERFECT FIT NO MATTER WHAT THE JOB

TEMPERATURE CONTROL

Thermostatic temperature stability

EASY TO FIT

Adjustable Z connector fits pipework between 135-165 mm patented wall mounting bracket

Quickly and easily fits onto reversed inlet supplies (BIV & BIR only)

EASY TO SERVICE

Large, long-life filters and replaceable cartridge

FOR YOUR CUSTOMER

Separate flow and temperature controls

Maximum temperature stop – enhances safety

4 spray 9cm showerhead with rub clean nozzles (except BIR which has one single spray)



MIRA DISCOVERY DUAL EV



MIRA DISCOVERY DUAL BIR



MIRA DISCOVERY DUAL BIV

TECH DETAILS

TEMPERATURE CONTROL

Control type: Thermostatic

INSTALLATION

Water entry points: Rising, falling or rear

Inlet connections: 1/2" BSP Male Flat Face (EV); 15mm compression (BIV & BIR)

Outlet connections: 1/2" BSP Male Flat Face (EV); 15mm compression (BIV & BIR)

Reversed inlets supported: Yes (BIV & BIR only)

SUPPLY CONDITIONS (hot and cold supplies to be at nominally equal pressure)

Cold water range: Up to 25°C

Hot water range: 50°C-85°C (operating); 55°C-65°C (recommended)

Minimum maintained pressure: EV: 0.2 bar (2 metre head), BIV & BIR: 0.1 bar (1 metre head)

Maximum maintained pressure: 5.0 bar (50 metre head)

Maximum static pressure: 10.0 bar (100 metre head)

PERFORMANCE

Flow rate (at handset): 11 l/min at 0.5 bar

Temperature stability: ± 2°C

SAFETY FEATURES

Automatic shutdown: Shutdown to seepage in 2 seconds

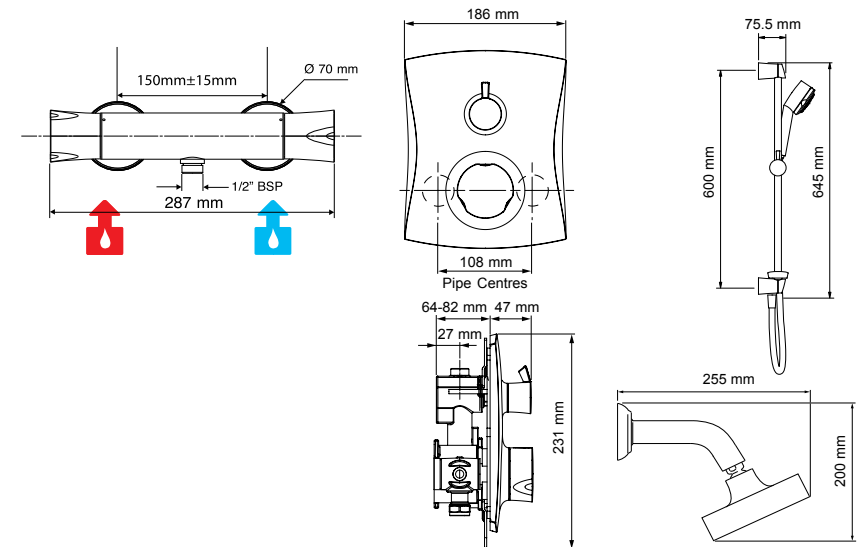
Factory set to safe max temp: Factory set to 43°C

Adjustable maximum temperature for on-site conditions

ACCESSORIES

Wide range of accessories available at www.mirashowers-store.co.uk

TECH DRAWINGS



MIRA DISCOVERY CONCENTRIC

Part Number: EV, Chrome: 1.1595.001
 Part Number: BIV, Chrome: 1.1595.002
 Part Number: BIR, Chrome: 1.1595.003

THE PERFECT FIT NO MATTER WHAT THE JOB

HIGH PERFORMANCE

Magni-Flo™ gives up to 3x more flow

TEMPERATURE CONTROL

Thermostatic temperature stability

EASY TO FIT

Quickly and easily fits onto reversed inlet supplies

EASY TO SERVICE

Large, long-life filters and replaceable cartridge

FOR YOUR CUSTOMER

Separate flow and temperature controls

Maximum temperature stop – enhances safety

4 spray 9cm showerhead with rub clean nozzles (except BIR which has one single spray)



MIRA DISCOVERY CONCENTRIC EV

MIRA DISCOVERY CONCENTRIC BIR

MIRA DISCOVERY CONCENTRIC BIV

TECH DETAILS

TEMPERATURE CONTROL

Control type: Thermostatic

INSTALLATION

Water entry points: Rising, falling or rear

Inlet connections: 15mm compression (EV, BIV & BIR)

Outlet connections: ½" BSP Male Flat Face (EV, BIV & BIR)

Reversed inlets supported: Yes

SUPPLY CONDITIONS (hot and cold supplies to be at nominally equal pressure)

Cold water range: Up to 25°C

Hot water range: 50°C-85°C (operating); 55°C-65°C (recommended)

Minimum maintained pressure: 0.1 bar (1 metre head)

Maximum maintained pressure: 5.0 bar (50 metre head)

Maximum static pressure: 10.0 bar (100 metre head)

PERFORMANCE

Flow rate (at handset): 11 l/min at 0.5 bar

Temperature stability: ± 2°C

SAFETY FEATURES

Automatic shutdown: Shutdown to seepage in 2 seconds

Factory set to safe max temp: Factory set to 43°C

Adjustable maximum temperature for on-site conditions

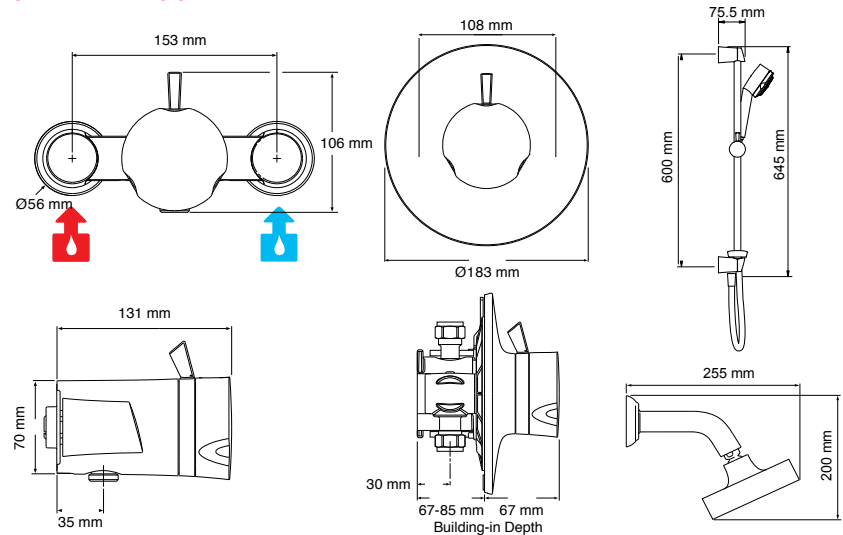
ACCESSORIES

Wide range of accessories available at www.mirashowers-store.co.uk

See Magni-Flo™ in action by scanning this QR code



TECH DRAWINGS

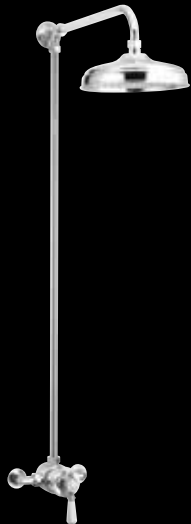


MIRA REALM

Part Number: ER, Chrome: 1.1735.001

THE PERFECT FIT
NO MATTER WHAT
THE JOB

FOR CUSTOMERS WHO
WANT A SEPARATE HAND
SHOWER SEE PAGE 61



HIGH PERFORMANCE

Magni-Flo™ gives up to 3x more flow

TEMPERATURE CONTROL

Thermostatic temperature stability

EASY TO FIT

Quickly and easily fits onto reversed inlet supplies
Riser pipe can be shortened

EASY TO SERVICE

Large, long-life filters and replaceable cartridge

FOR YOUR CUSTOMER

One control for on/off and temperature

Maximum temperature stop – enhances safety

1 spray 21cm deluge showerhead with rub clean nozzles



TECH DETAILS

TEMPERATURE CONTROL

Control type: Thermostatic

INSTALLATION

Water entry points: Rising, falling or rear

Inlet connections: 15 mm compression

Outlet connections: 18 mm compression (supplied)

Reversed inlets supported: Yes

SUPPLY CONDITIONS (hot and cold supplies to be at nominally equal pressure)
Cold water range: Up to 25°C

Hot water range: 50°C-85°C (operating)
55°C-65°C (recommended)

Minimum maintained pressure: 0.1 bar (1 metre head)

Maximum maintained pressure: 1.0 bar (10 metre head)

Maximum static pressure: 3.0 bar (30 metre head)

PERFORMANCE

Flow rate (at overhead): 11.6 l/min @ 0.5 bar

Temperature stability: ± 2°C

SAFETY FEATURES

Automatic shutdown

Factory set to safe max temp: Factory set to 41°C

Adjustable maximum temperature for on-site conditions

ACCESSORIES

Wide range of accessories available at www.mirashowers-store.co.uk

MIRA REALM WITH DIVERTER

Part Number: ERD, Chrome: 1.1735.002

BOTH HEADS WORK
AT ONCE, EVEN AT
0.1 BAR PRESSURE



TECH DETAILS

TEMPERATURE CONTROL

Control type: Thermostatic

INSTALLATION

Water entry points: Rising, falling or rear

Inlet connections: 15 mm compression

Outlet connections: 15 mm compression

Reversed inlets supported: Yes

SUPPLY CONDITIONS (hot and cold supplies to be at nominally equal pressure)
Cold water range: Up to 25°C

Hot water range: 50°C-85°C (operating)
55°C-65°C (recommended)

Minimum maintained pressure: 0.1 bar (1 metre head)

Maximum maintained pressure: 1.0 bar (10 metre head)

Maximum static pressure: 3.0 bar (30 metre head)

PERFORMANCE

Flow rate (at handset) 9.2 l/min @ 0.5 bar

Flow rate (at overhead) 10.4 l/min @ 0.5 bar

Flow rate (combined) 15 l/min @ 0.5 bar

Temperature stability: ± 2°C

SAFETY FEATURES

Automatic shutdown

Factory set to safe max temp: Factory set to 41°C

Adjustable maximum temperature for on-site conditions

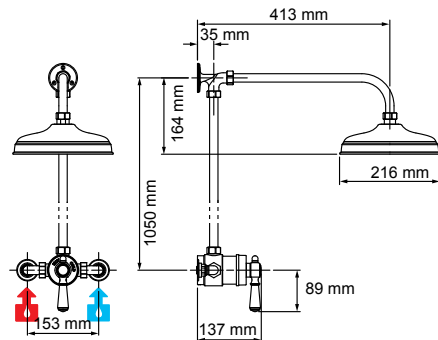
ACCESSORIES

Wide range of accessories available at www.mirashowers-store.co.uk

TECH DRAWINGS



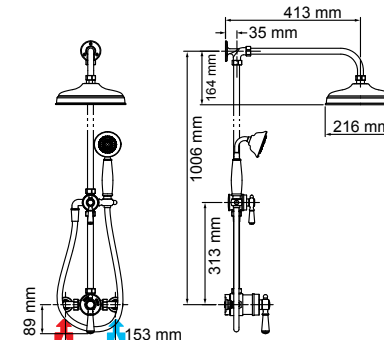
See Magni-Flo™ in action by scanning this QR code



TECH DRAWINGS



See Magni-Flo™ in action by scanning this QR code



MIRA SELECT

Part Number: EV, Chrome: 1.1592.005
 Part Number: BIV, Chrome: 1.1592.006
 Part Number: BIR, Chrome: 1.1592.007



THE PERFECT FIT NO MATTER WHAT THE JOB

HIGH PERFORMANCE

Magni-Flo™ gives up to 3x more flow

TEMPERATURE CONTROL

Thermostatic temperature stability

EASY TO FIT

Quickly and easily fits onto reversed inlet supplies. Adjustable inlets (149-154 mm)

EASY TO SERVICE

Large, long-life filters and replaceable cartridge

FOR YOUR CUSTOMER

Separate flow and temperature controls

Approved to TMV2 – for the ultimate in comfortable showering

Maximum temperature stop – enhances safety

4 spray 9cm showerhead with rub clean nozzles (except BIR which has one single spray pattern)



MIRA SELECT EV

MIRA SELECT BIR

MIRA SELECT BIV

TECH DETAILS

TEMPERATURE CONTROL

Control type: Thermostatic

INSTALLATION

Water entry points: Rising, falling or rear

Inlet connections: 15mm compression

Outlet connections: ½" BSP Flat Face or 15 mm compression

Reversed inlets supported: Yes

SUPPLY CONDITIONS (hot and cold supplies to be at nominally equal pressure)

Cold water range: Up to 25°C

Hot water range: 50°C-85°C (operating); 55°C-65°C (recommended)

Minimum maintained pressure: 0.1 bar (1 metre head)

Maximum maintained pressure: 5.0 bar (50 metre head)

Maximum static pressure: 10.0 bar (100 metre head)

PERFORMANCE

Flow rate (at handset): 10 l/min at 0.5 bar

Temperature stability: ± 1°C

SAFETY FEATURES

Automatic shutdown: Shutdown to seepage in 2 seconds

Factory set to safe max temp: Factory set to 41°C

Adjustable maximum temperature for on-site conditions

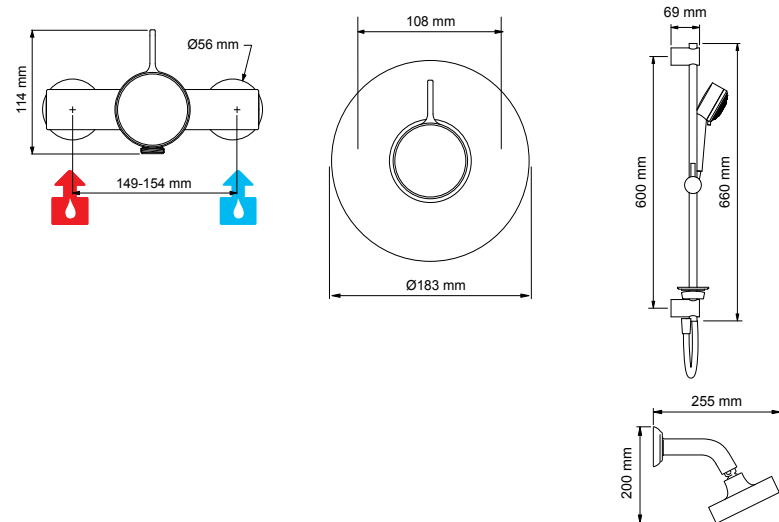
ACCESSORIES

Wide range of accessories available at www.mirashowers-store.co.uk

See Magni-Flo™ in action by scanning this QR code



TECH DRAWINGS



MIRA COMBIFORCE 415

Part Number: EV, Chrome: 1.1542.001
 Part Number: BIV, Chrome: 1.1542.005
 Part Number: BIR, Chrome: 1.1542.009



IDEAL FOR FULLY MODULATING COMBI BOILERS

TEMPERATURE CONTROL

Pressure balanced control

EASY TO FIT

Quickly and easily fits onto reversed inlet supplies

EASY TO SERVICE

Large, long-life filters and replaceable cartridge

FOR YOUR CUSTOMER

One control for on/off and temperature

Maximum temperature stop – enhances safety (comfort override)

4 spray 9cm showerhead with rub clean nozzles



MIRA COMBIFORCE 415 EV



MIRA COMBIFORCE 415 BIR



MIRA COMBIFORCE 415 BIV

TECH DETAILS

TEMPERATURE CONTROL

Control type: Pressure balanced

INSTALLATION

Water entry points: Rising, falling or rear

Inlet connections: 15mm compression or 1/2" BSP Male Flat Face (EV, BIV & BIR)

Outlet connections: 15mm compression or 1/2" BSP Male Flat Face (EV, BIV & BIR)

Reversed inlets supported: Yes

SUPPLY CONDITIONS (hot and cold supplies to be at nominally equal pressure)

Cold water range: Up to 25°C

Hot water range: 50°C-85°C (operating); 55°C-65°C (recommended)

Minimum maintained pressure: 1.0 bar (10 metre head)

Maximum maintained pressure: 5.0 bar (50 metre head)

Maximum static pressure: 10.0 bar (100 metre head)

PERFORMANCE

Flow rate (at handset): 9 l/min at 0.5 bar

Temperature stability: ± 2°C

SAFETY FEATURES

Automatic shutdown: Shutdown to seepage in 2 seconds

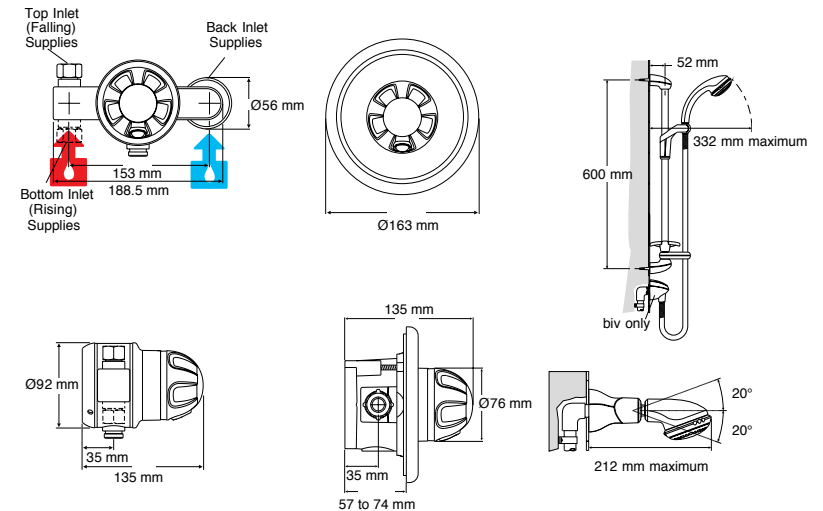
Factory set to safe max temp: Factory set to 41°C

Adjustable maximum temperature for on-site conditions

ACCESSORIES

Wide range of accessories available at www.mirashowers-store.co.uk

TECH DRAWINGS



MIRA EXCEL

Part Number: EV, Chrome: 1.1518.300
 Part Number: BIV, Chrome: 1.1518.303
 Part Number: BIR, Chrome: 1.1518.307

BRITAIN'S TOP-DOG MIXER – UNBEATABLE AT ALL PRESSURES

HIGH PERFORMANCE

Magni-Flo™ gives up to 3x more flow

TEMPERATURE CONTROL

Thermostatic temperature stability

EASY TO FIT

Quickly and easily fits onto reversed inlet supplies. EV has adjustable inlets (150-155mm)

EASY TO SERVICE

Large, long-life filters and replaceable cartridge

FOR YOUR CUSTOMER

Separate flow and temperature controls

Maximum temperature stop – enhances safety (comfort override)

Ceramic flow control resists limescale

Unrivalled performance on any pressure

4 spray 9cm showerhead with rub clean nozzles



TECH DETAILS

TEMPERATURE CONTROL

Control type: Thermostatic

INSTALLATION

Water entry points: Rising, falling or rear

Inlet connections: 15mm compression (EV, BIV & BIR)

Outlet connections: ½" BSP Male Flat Face (EV); 15mm compression (BIV & BIR)

Reversed inlets supported: Yes

SUPPLY CONDITIONS (hot and cold supplies to be at nominally equal pressure)

Cold water range: Up to 25°C

Hot water range: 50°C-85°C (operating); 55°C-65°C (recommended)

Minimum maintained pressure: 0.1 bar (1 metre head)

Maximum maintained pressure: 5.0 bar (50 metre head)

Maximum static pressure: 10.0 bar (100 metre head)

PERFORMANCE

Flow rate (at handset): 13 l/min at 0.5 bar

Temperature stability: ± 1°C

SAFETY FEATURES

Automatic shutdown: Shutdown to seepage in 2 seconds

Factory set to safe max temp: Factory set to 41°C (maximum 46°C)

Adjustable maximum temperature for on-site conditions

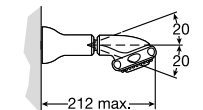
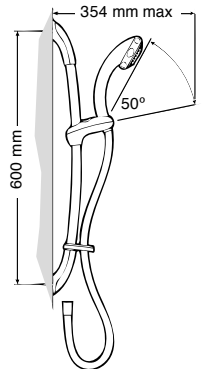
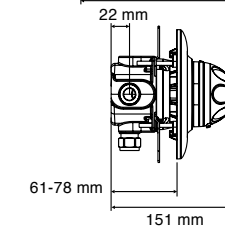
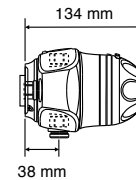
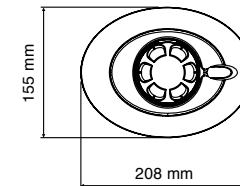
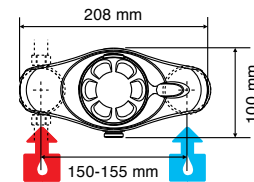
ACCESSORIES

Wide range of accessories available at www.mirashowers-store.co.uk

See Magni-Flo™ in action by scanning this QR code



TECH DRAWINGS



MIRA EXTRA BSM

Part Number: BSM: 1.0.122.25.2

THE SHOWER THAT'S A LITTLE ALTERNATIVE

FOR CUSTOMERS WHO WANT THERMOSTATIC CONTROL FOR BOTH SHOWER AND BATHFILL SEE PAGE 69



TEMPERATURE CONTROL

Thermostatic temperature stability (shower only)

EASY TO FIT

Fits onto standard bath tap holes

EASY TO SERVICE

Replaceable cartridge with integral filters

FOR YOUR CUSTOMER

One control for on/off and temperature

Conventional non-thermostatic bathfill

A convenient, alternative way of showering

4 spray showerhead with rub clean rubber nozzles



TECH DETAILS

TEMPERATURE CONTROL

Control type: Thermostatic Shower Control

INSTALLATION

Water entry points: Rising only

Inlet connections: 3/4" BSP Male

Outlet connections: 1/2" BSP Male

Reversed inlets supported: No

SUPPLY CONDITIONS (hot and cold supplies to be at nominally equal pressure)

Cold water range: Up to 25°C

Hot water range: 50°C-85°C (operating)

55°C-65°C (recommended)

Minimum maintained pressure: 0.1 bar (1 metre head)

Maximum maintained pressure: 5.0 bar (50 metre head)

Maximum static pressure: 10.0 bar (100 metre head)

PERFORMANCE

Flow rate (at handset): 15 l/min

Temperature stability: ± 2°C

SAFETY FEATURES

Automatic shutdown: Yes – shower only

Factory set to safe max temp: Factory set to 42°C

Adjustable maximum temperature for on-site conditions

ACCESSORIES

Wide range of accessories available at www.mirashowers-store.co.uk

MIRA EXCEL BSM

Part Number: BSM: 1.1598.001

IT'S EXCEL WITH ADDED PEACE OF MIND



HIGH PERFORMANCE

Magni-Flo™ gives up to 3x more flow

TEMPERATURE CONTROL

Thermostatic temperature stability (shower & bathfill)

EASY TO FIT

Fits onto standard bath tap holes

EASY TO SERVICE

Large, long-life filters and replaceable cartridge

FOR YOUR CUSTOMER

Separate flow and temperature controls

Automatic max temp reduction when switching from bath to shower mode

Cool Shield™ stops the valve getting hot during a shower

4 spray 9cm showerhead with rub clean nozzles



TECH DETAILS

TEMPERATURE CONTROL

Control type: Thermostatic Shower Control & Bath Fill

INSTALLATION

Water entry points: Rising only

Inlet connections: 3/4" BSP Male

Outlet connections: 1/2" BSP Male

Reversed inlets supported: No

SUPPLY CONDITIONS (hot and cold supplies to be at nominally equal pressure)

Cold water range: Up to 25°C

Hot water range: 50°C-85°C (operating)

55°C-65°C (recommended)

Minimum maintained pressure: 0.2 bar (2 metre head)

Maximum maintained pressure: 5.0 bar (50 metre head)

Maximum static pressure: 10.0 bar (100 metre head)

PERFORMANCE

Flow rate (at handset): 14 l/min at 0.5 bar

Temperature stability: ± 2°C

SAFETY FEATURES

Automatic shutdown: Yes – both bath and shower

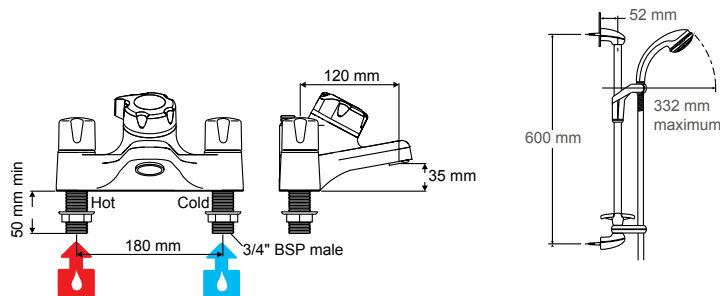
Factory set to safe max temp: Factory set to 46°C

Automatic maximum temperature adjustment

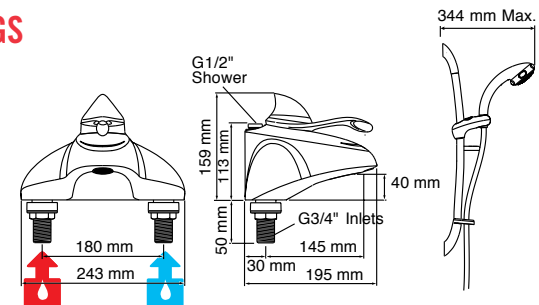
ACCESSORIES

Wide range of accessories available at www.mirashowers-store.co.uk

TECH DRAWINGS



TECH DRAWINGS



See Magni-Flo™ in action by scanning this QR code