

KARIS C/C PAN, CISTERN & SEAT



ILLUSTRATION: KARIS C/C PAN

CODE: C/C WC PAN - POT725LS
 C/C CISTERN - POT726LS
 SOFT CLOSE SEAT - POT096RE
 SLIM SOFT CLOSE SEAT - 87510

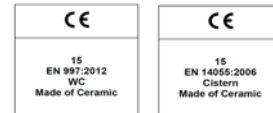
COLOUR: WHITE

WEIGHT:	WC PAN	CISTERN	SEAT
NET:	22 KG	11 KG	1.4 KG
GROSS:	23 KG	12 KG	1.6 KG

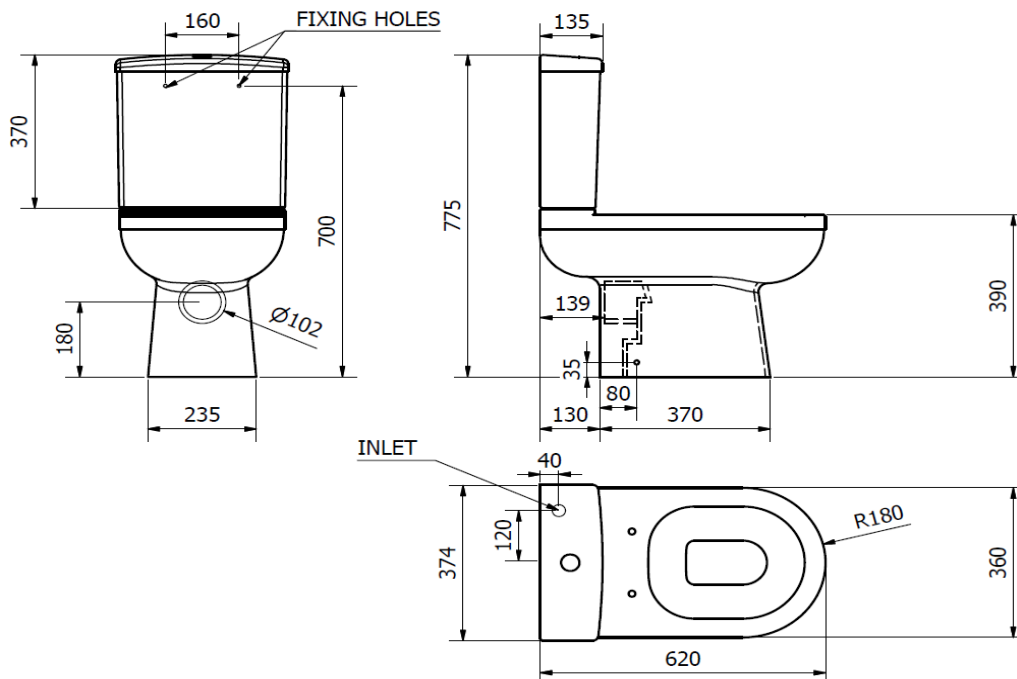
STANDARDS: BS EN 997 WCs

BS EN 14055:2010 FLUSHING CISTERNS

BS 3402



NOTES:
 VITREOUS CHINA
 SHORT PROJECTION
 WATER SAVING 6/4 LITRE FLUSH
 SOFT CLOSE SEAT WITH QUICK RELEASE TOP FIX HINGE



BOX SIZES :- WC PAN = 380 X 430 X 630 mm / CISTERN = 155 X 430 X 390 mm