



## PRODUCT SPECIFICATION

### FARMON COMFORT HEIGHT PAN, CISTERN & SEAT



ILLUSTRATION: FARMON COMFORT HEIGHT C/C PAN &  
CISTERN CODE: C/C WC PAN - POT089OP  
C/C CISTERN - POT450SE  
SOFT CLOSE SEAT - POT082OP

COLOUR: WHITE

WEIGHT:	WC PAN	CISTERN	SEAT
NET:	33.5 KG	11 KG	1.4 KG
GROSS:	35 KG	12 KG	1.6 KG

STANDARDS: BS EN 997 WCs

BS EN 14055:2010 FLUSHING CISTERNS

BS 3402

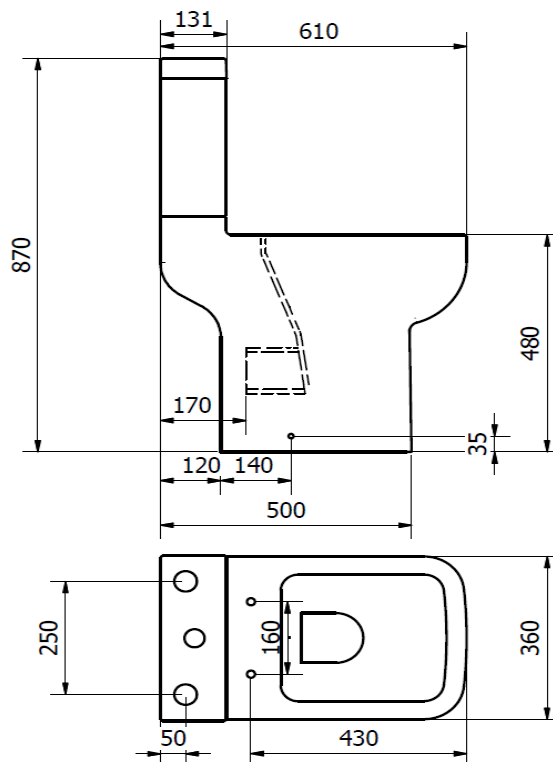
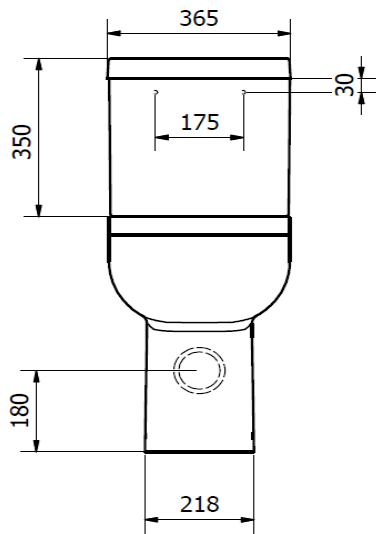


#### NOTES:

VITREOUS CHINA

WATER SAVING 6/4 LITRE FLUSH

SOFT CLOSE SEAT WITH QUICK RELEASE TOP FIX HINGE



BOX SIZES :- WC PAN = 390 X 550 X 640 mm / CISTERN = 1155 X 380 X 390 mm / SEAT = 450 X 370 X 55 mm