

# + HIGH LEVEL FLUE OUTLET KIT

When replacing any part on this appliance, use only spare parts that you can be assured conform to the safety and performance specification that we require. Do not use reconditioned or copy parts that have not been clearly authorised by Ideal.

**For the very latest copy of literature for specification and maintenance practices visit our website [www.idealboilers.com](http://www.idealboilers.com) where you can download the relevant information in PDF format.**

## INTRODUCTION

This kit is suitable only for the domestic gas boilers listed below :

Logic Combi 24.....	G.C. No. 47-348-56	Logic + System 24.....	G.C. No. 41-750-31
Logic Combi 30.....	G.C. No. 47-348-57	Logic + System 30.....	G.C. No. 41-750-32
Logic Combi 35.....	G.C. No. 47-348-58	i-mini 24.....	G.C. No. 47-348-77
Logic Combi E24.....	G.C. No. 47-348-88	i-mini 30.....	G.C. No. 47-348-78
Logic Combi E30.....	G.C. No. 47-348-89	Vogue c26.....	G.C. No. 47-348-99
Logic Combi E35.....	G.C. No. 47-348-90	Vogue c32.....	G.C. No. 47-348-98
Logic Combi ES24.....	G.C. No. 47-349-01	Vogue c40.....	G.C. No. 47-348-97
Logic Combi ES30.....	G.C. No. 47-349-02	Vogue s15.....	G.C. No. 41-750-56
Logic Combi ES35.....	G.C. No. 47-349-03	Vogue s18.....	G.C. No. 41-750-55
Logic Combi ESP24.....	G.C. No. 47-349-12	Vogue s26.....	G.C. No. 41-750-54
Logic Combi ESP30.....	G.C. No. 47-349-13	Vogue s32.....	G.C. No. 41-750-53
Logic Combi ESP35.....	G.C. No. 47-349-14	Project System 15.....	G.C. No. 41-750-59
Logic + Combi 24.....	G.C. No. 47-348-65	Project System 24.....	G.C. No. 41-750-60
Logic + Combi 30.....	G.C. No. 47-348-66	Project Heat 15.....	G.C. No. 41-750-57
Logic + Combi 35.....	G.C. No. 47-348-67	Project Heat 24.....	G.C. No. 41-750-58
Logic Code Combi 26.....	G.C. No. 47-348-74	Procombi Exclusive 24.....	G.C. No. 47-348-79
Logic Code Combi 33.....	G.C. No. 47-348-75	Procombi Exclusive 30.....	G.C. No. 47-348-80
Logic Code Combi 38.....	G.C. No. 47-348-76	Procombi Exclusive 35.....	G.C. No. 47-348-81
Logic Code Combi ES26.....	G.C. No. 47-349-04	icombi 24.....	G.C. No. 47-348-82
Logic Code Combi ES33.....	G.C. No. 47-349-05	icombi 30.....	G.C. No. 47-348-83
Logic Code Combi ES38.....	G.C. No. 47-349-06	icombi 35.....	G.C. No. 47-348-84
Logic Heat 12.....	G.C. No. 47-399-99	Esprit eco 24.....	G.C. No. 47-348-91
Logic Heat 15.....	G.C. No. 47-409-93	Esprit eco 30.....	G.C. No. 47-348-92
Logic Heat 18.....	G.C. No. 47-409-94	Ideal Classic 24.....	G.C. No. 47-349-07
Logic Heat 24.....	G.C. No. 47-409-95	Ideal Classic 30.....	G.C. No. 47-349-08
Logic Heat 30.....	G.C. No. 47-409-96	Ideal Instinct 24.....	G.C. No. 47-349-09
Logic + Heat 12.....	G.C. No. 47-409-97	Ideal Instinct 30.....	G.C. No. 47-349-10
Logic + Heat 15.....	G.C. No. 47-409-98	Ideal Instinct 35.....	G.C. No. 47-349-11
Logic + Heat 18.....	G.C. No. 47-409-99	Zanussi Ultra Combi 30.....	G.C. No. 47-002-01
Logic + Heat 24.....	G.C. No. 47-750-21	Zanussi Ultra Combi 35.....	G.C. No. 47-002-02
Logic + Heat 30.....	G.C. No. 47-750-22	Zanussi Ultra System 15.....	G.C. No. 41-002-01
Logic System 15.....	G.C. No. 41-750-24	Zanussi Ultra System 18.....	G.C. No. 41-002-02
Logic System 18.....	G.C. No. 41-750-25	Zanussi Ultra System 24.....	G.C. No. 41-002-03
Logic System 24.....	G.C. No. 41-750-26	Zanussi Ultra System 30.....	G.C. No. 41-002-04
Logic System 30.....	G.C. No. 41-750-27		
Logic System 15IE.....	G.C. No. 41-750-44		
Logic System 18IE.....	G.C. No. 41-750-45		
Logic System 24IE.....	G.C. No. 41-750-46		
Logic System 30IE.....	G.C. No. 41-750-47		
Logic + System 15.....	G.C. No. 41-750-29		
Logic + System 18.....	G.C. No. 41-750-30		

These instructions must be read in conjunction with the Installation and Servicing Instructions supplied with the boiler.

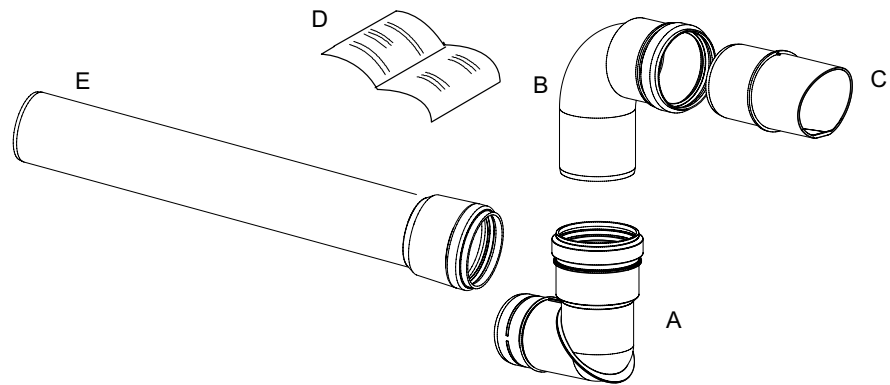
This kit allows the boiler flue outlet to be externally extended vertically to ensure the flue product exit from the boiler is at a high level to overcome the problems associated with plume emission.

**NOTE. ALWAYS CHECK FLUE INTEGRITY AFTER INSTALLATION**

## 1 UNPACKING

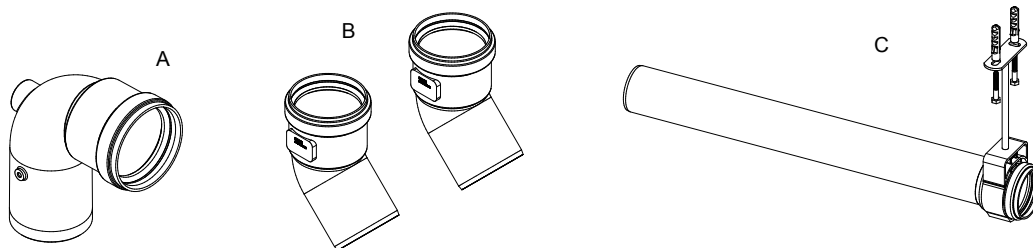
Unpack the kit and check the contents.

- A. Flue elbow - 1 off
- B. 60mm Flue exit elbow - 1 off
- C. 60mm Horizontal flue exit - 1 off
- D. These Installation Instructions - 1 off
- E. 60mm x 500mm Flue Outlet Extension Pipe - 1 off



## 2 OPTIONAL EXTRAS (not provided with High Level Flue Outlet Kit)

- A. 60mm 90° Elbow kit (UIN 203229) - 1 off
- B. 60mm 45° Elbow kit (UIN 203230) - 2 off
- C. 60mm x 1M Flue outlet extension pipe (UIN 203228) - 1 off



### 3 HIGH LEVEL FLUE OUTLET TERMINAL SITING

#### IMPORTANT.

For stated clearances for the flue outlet terminal in relation to openings, air inlet etc., refer to the Flue Installation section of the boiler Installation Instructions.

The minimum siting dimensions for the terminal positions, A, B, C stated can be applied when a high level flue outlet kit is fitted.

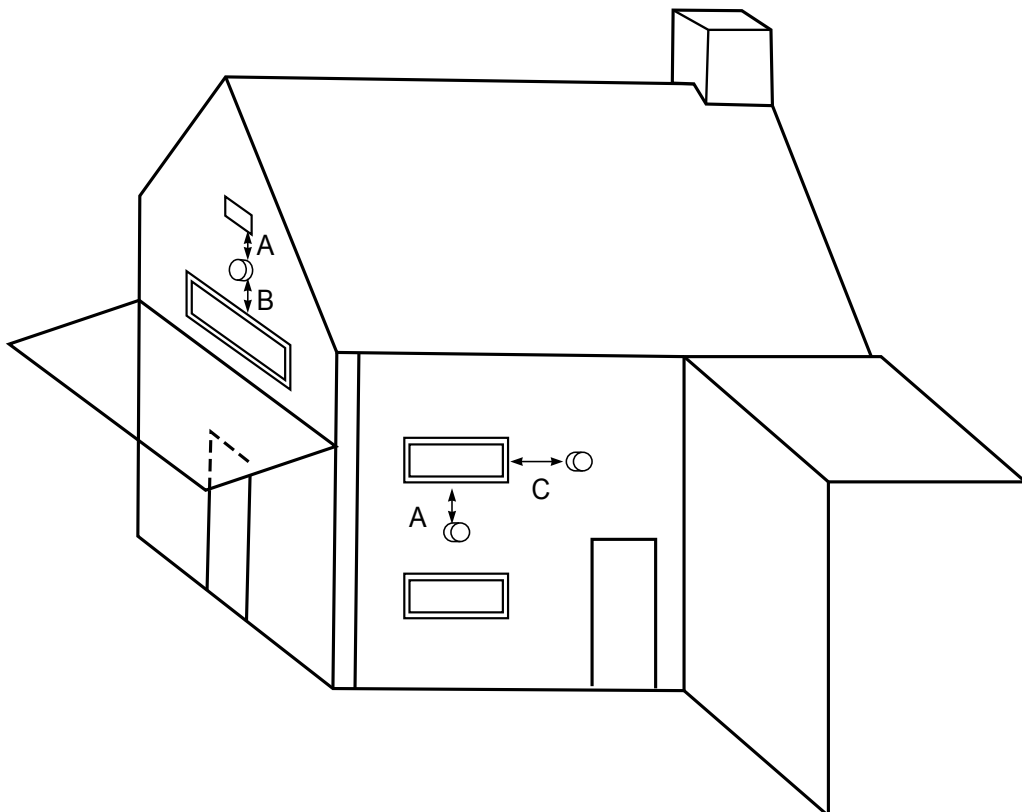
#### MINIMUM SITING DIMENSIONS FOR FANNED FLUE TERMINALS

##### Minimum Siting For Air Inlet

- A. Directly below an opening, air brick, opening windows etc. 150mm
- B. Directly above an opening, air brick, opening windows etc. 150mm
- C. Horizontally to an opening air brick, opening windows etc. 150mm

##### Minimum Siting For Flue Outlet

- A. Directly below an opening, air brick, opening windows (Horizontal Discharge). 300 mm
- B. Directly above an opening, air brick, opening windows (Horizontal Discharge). 300 mm
- C. Horizontally to an opening air brick, opening windows etc. 300 mm



#### Note.

The flue outlet termination should not be installed less than 2 metres above ground level.

For further guidance on siting requirements please consult BS 5440-1 : Table C.1 and Fig C. 2.

## 4 FLUING OPTIONS

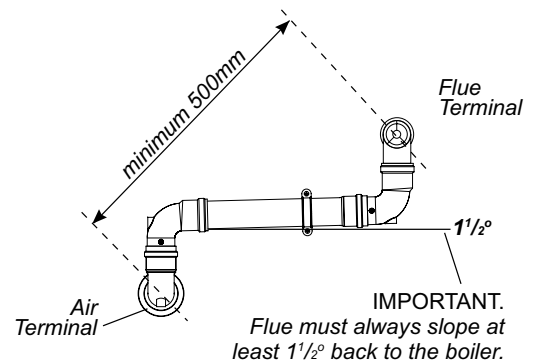
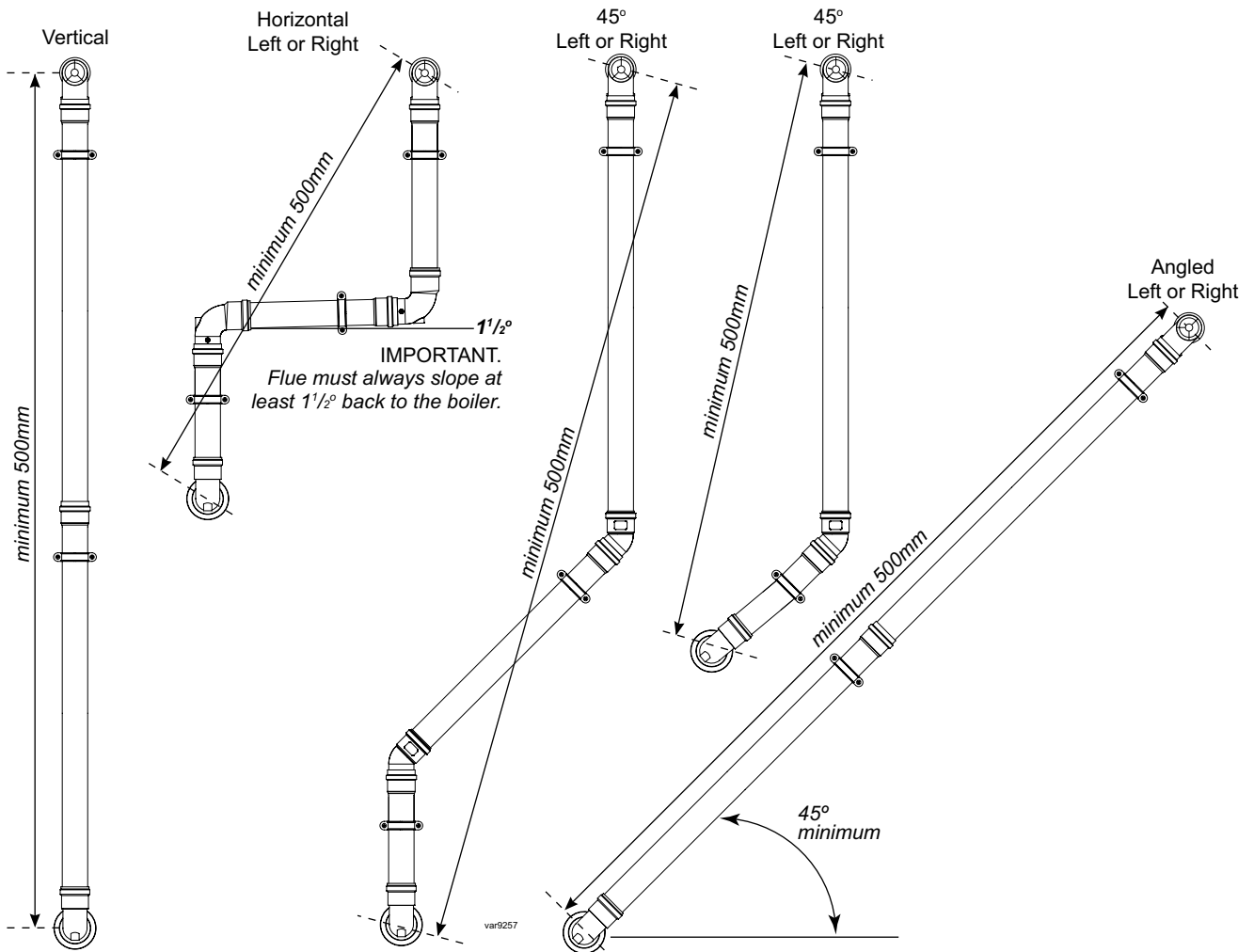
Refer to Frame 5 for detail of elbow resistance and maximum allowable flue length graph.

### IMPORTANT NOTES

1. The flue terminal elbow must exit the concentric flue terminal between 45° either side of vertical.
2. Additional flue pipe may be mounted horizontally or vertically providing the horizontal sections slope 1 1/2° back to the boiler.
3. The flue and air terminals MUST be separated by a minimum of 500mm.

4. To remove the outlet terminal nose, grip the outer flue terminal, then using the other hand grip the nose section firmly and twist whilst pulling the nose section out. Note: If unable to remove, grip the top of the nose section firmly with a pair of pliers and pull the nose out. Take care not to damage the flue terminal. Ensure that all flue joints are maintained and the flue integrity has not been compromised.
5. Push fit terminal adaptor into terminal ensuring the correct engagement of the location system and seal. (Note the 2 small engagement dimples on each side of the adaptor must be inline with the mounting face of the terminal.)

**Note:** Only use water as a lubricant during assembly. Do not use mineral based oils.



## 5 HIGH LEVEL FLUE OUTLET KIT FITTING

Refer to the boiler installation and servicing instructions for fitting of the boiler and its flue system.

### Note.

The standard terminal nose is replaced with the high level terminal elbow.

1. Follow the boiler installation instructions for boiler, turret and flue fitting and these instructions for the addition of the high level flue kit
2. Using the graph below determine the external vertical flue extension allowed.

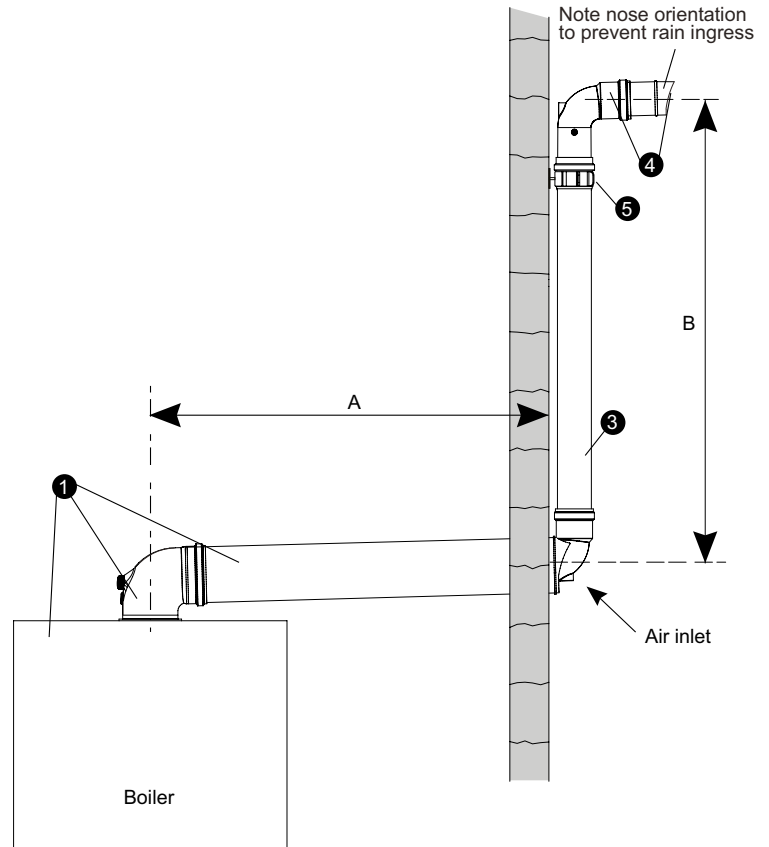
### Note.

A 90° elbow (60mm dia) is equivalent to 1.4m of straight flue.

A 45° elbow (60mm dia) is equivalent to 1.25m of straight flue.

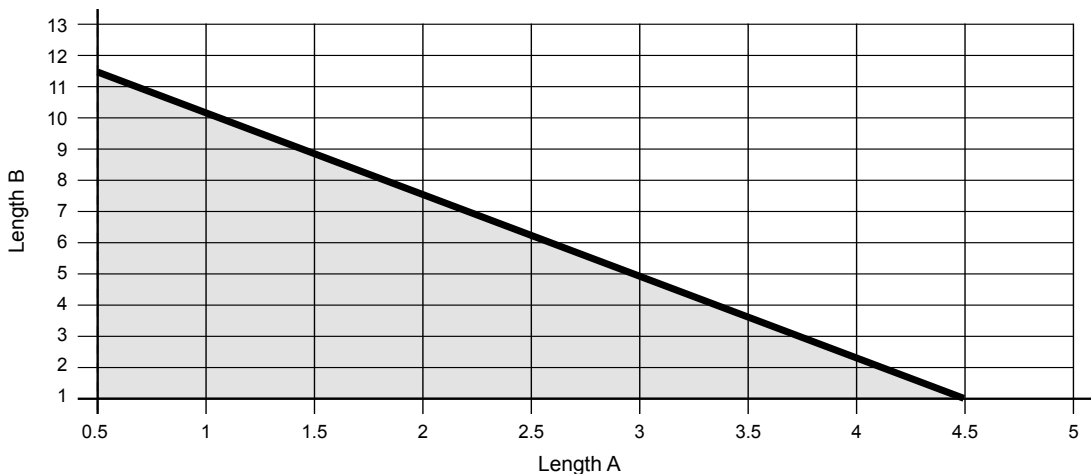
3. Push fit the required extension pipe(s) (UIN 203228), 90° elbows (UIN 203229) or 45° elbows (UIN 203230) to the required height determined from the graph.
4. Fit the 90° flue exit elbow and the horizontal flue exit pipe.
5. Secure the extension pipe to the wall with the bracket provided. Refer to Frame 6.
6. A terminal guard is not required at the air inlet position but the terminal outlet must be positioned as shown.

**Note. Flue length dimension B must be greater than 500mm.**



### Note.

When using the high level flue outlet kit the horizontal (A) and vertical (B) lengths quoted in the graph replaces the flue length information contained in the boiler installation instructions.



## 6 FITTING THE FLUE SUPPORT BRACKET

ENSURE THE FLUE SUPPORT BRACKET IS FITTED AS SHOWN BELOW:

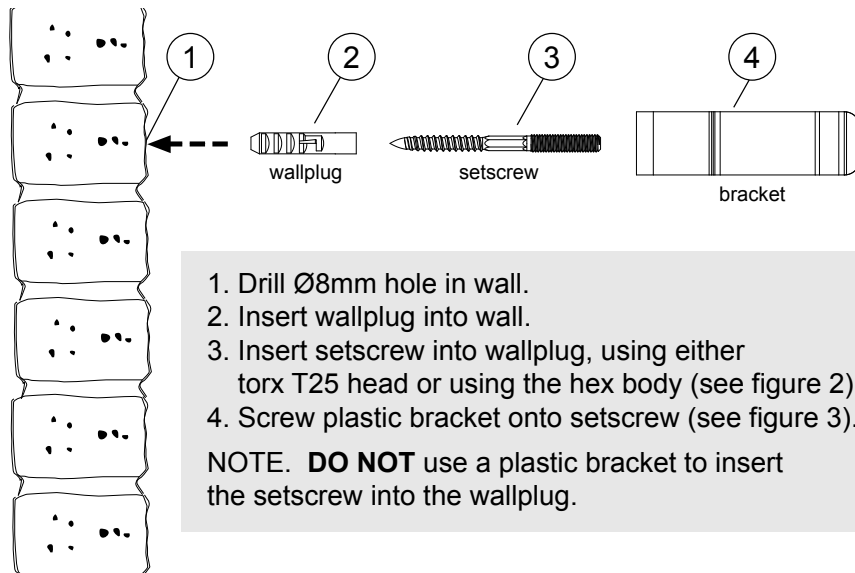


FIGURE 1

MEASUREMENT BEFORE BRACKET IS ATTACHED

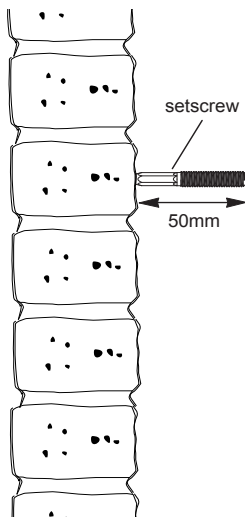


FIGURE 2

MEASUREMENTS ARE SHOWN TO ENSURE CORRECT FITMENT WITH BRACKET ON

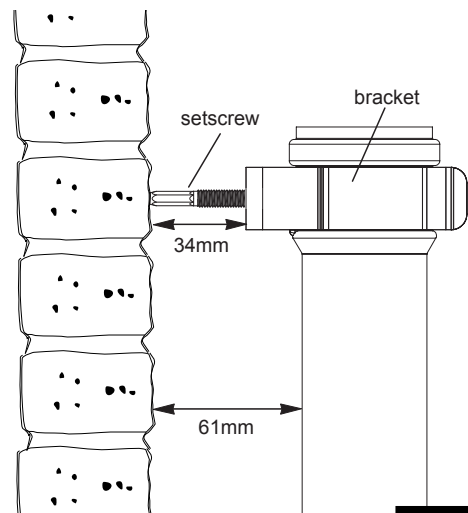


FIGURE 3

### **Technical Training**

The Ideal Technical Training Centre offers a series of first class training courses for domestic, commercial and industrial heating installers, engineers and system specifiers. For details of courses please ring: ..... 01482 498 432

**Ideal Boilers Ltd.**, P.O. Box 103, National Ave, Kingston upon Hull, HU5 4JN. Telephone: 01482 492 251 Fax: 01482 448 858. Registration No. London 322 137.

**Ideal Boilers Ltd.**, pursues a policy of continuing improvement in the design and performance of its products. The right is therefore reserved to vary specification without notice.



***Installer Support Helpline: 01482 498663***  
***www.idealboilers.com***