

Technical Data Sheet

Serve Basin Mixer - TR1067



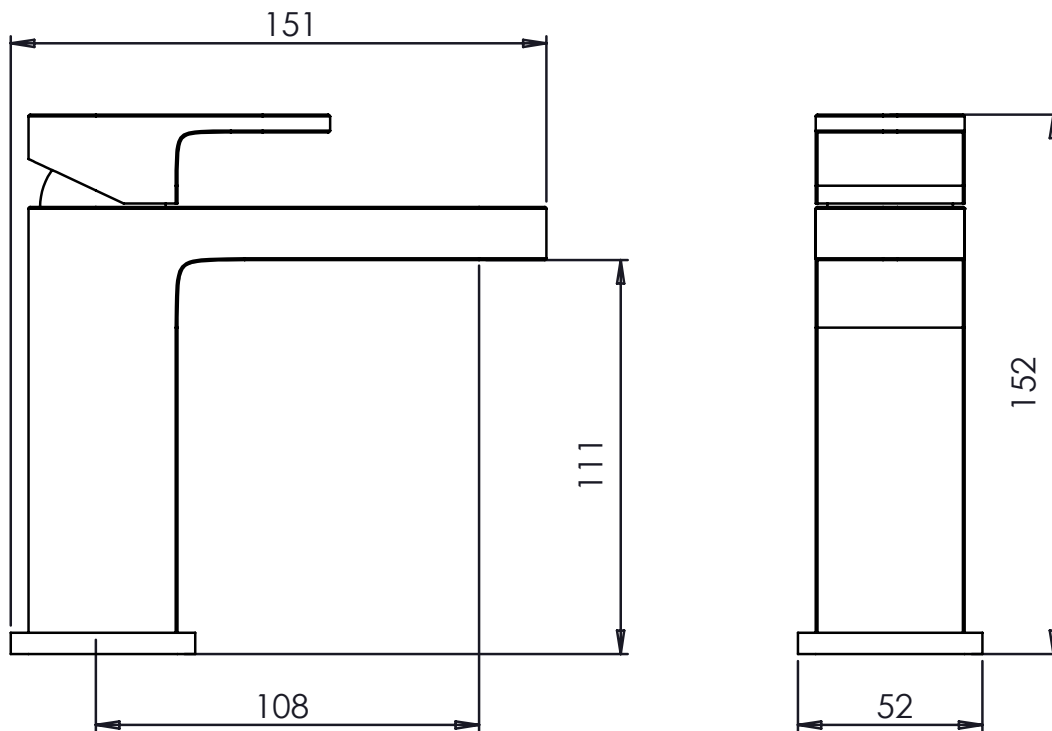
| No. | Description | Code | Fixings Included |
|-----|-------------------|--------|------------------|
| 1 | Serve Basin Mixer | TR1067 | YES |



| | |
|---------------|-------------------|
| Min Pressure: | 0.2bar |
| 0.2bar | 4 litres / min |
| 0.3bar | 4.5 litres / min |
| 0.4bar | 5.2 litres / min |
| 0.5bar | 6 litres / min |
| 1bar | 8.3 litres / min |
| 2bar | 11.9 litres / min |

Dimensions - TR1067

Diagrams not to scale. All dimensions in mm (tolerance of +/-5mm)



*Dimensions are subject to change, customers are advised to measure product before commencing installation.

FAQs

What is the size of the tap tail connection? The tap tails have a standard 1/2" BSP fixing.

What bore is the tap tail? The tails have a 10mm internal bore.

What length are the tap tails? The tails are 300mm in length.

Does the tap come fitted with an aerator? Yes, the aerator comes pre-installed but can be replaced.

Technical Data Sheet

Serve Mini Basin Mixer - TR1068



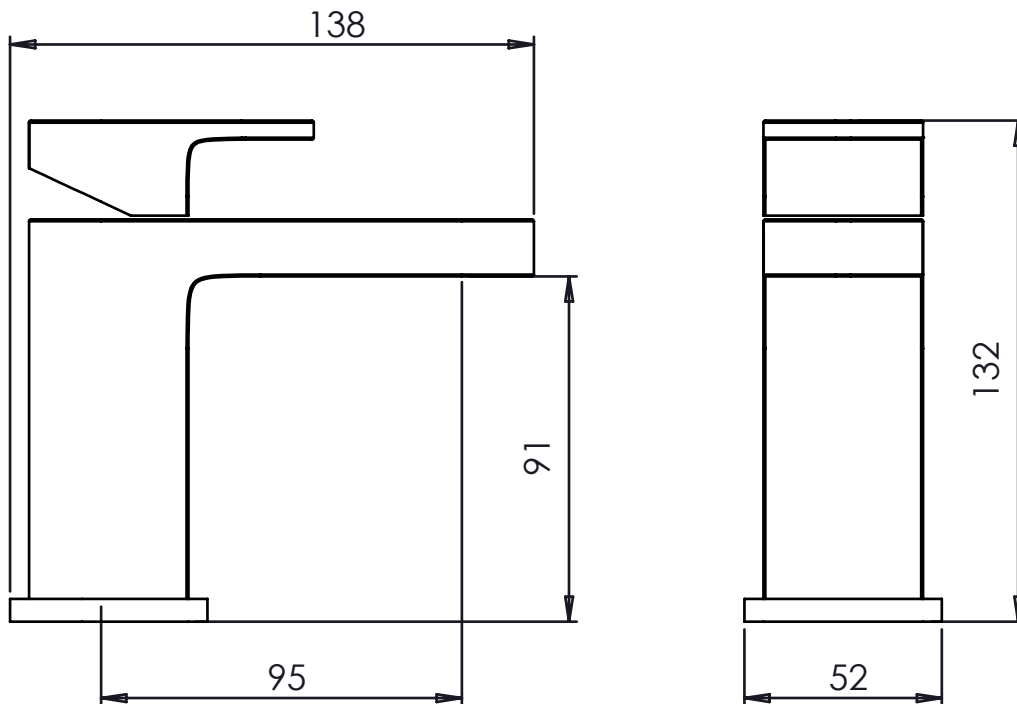
| No. | Description | Code | Fixings Included |
|-----|------------------------|--------|------------------|
| 1 | Serve Mini Basin Mixer | TR1068 | YES |



| | |
|---------------|-------------------|
| Min Pressure: | 0.2bar |
| 0.2bar | 4 litres / min |
| 0.3bar | 4.5 litres / min |
| 0.4bar | 5.2 litres / min |
| 0.5bar | 6 litres / min |
| 1bar | 8.3 litres / min |
| 2bar | 11.9 litres / min |

Dimensions - TR1068

Diagrams not to scale. All dimensions in mm (tolerance of +/-5mm)



*Dimensions are subject to change, customers are advised to measure product before commencing installation.

FAQs

What is the size of the tap tail connection? The tap tails have a standard 1/2" BSP fixing.

What bore is the tap tail? The tails have a 10mm internal bore.

What length are the tap tails? The tails are 300mm in length.

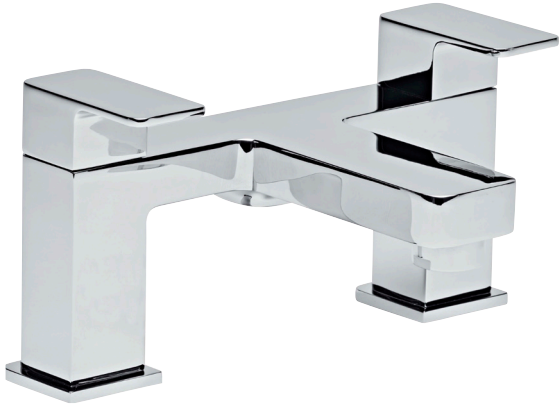
Does the tap come fitted with an aerator? Yes, the aerator comes pre-installed but can be replaced.

Technical Data Sheet

Serve Bath Filler - TR1069



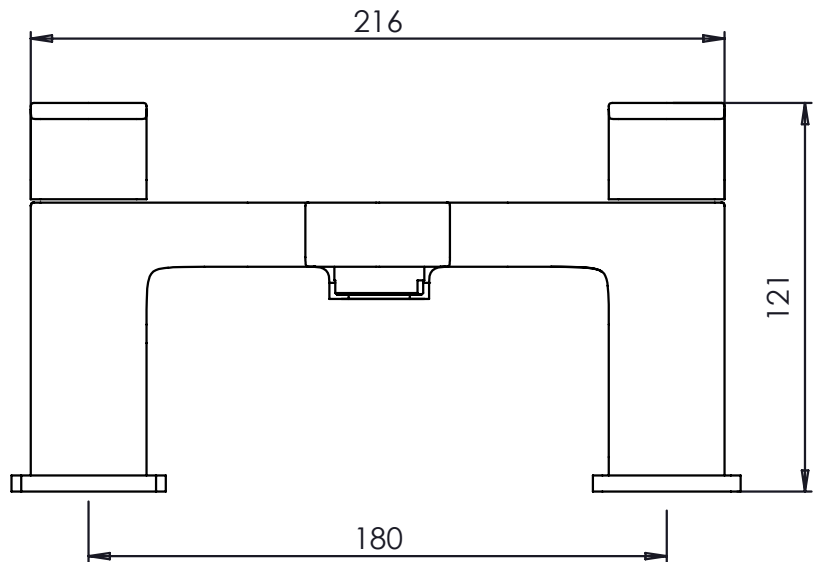
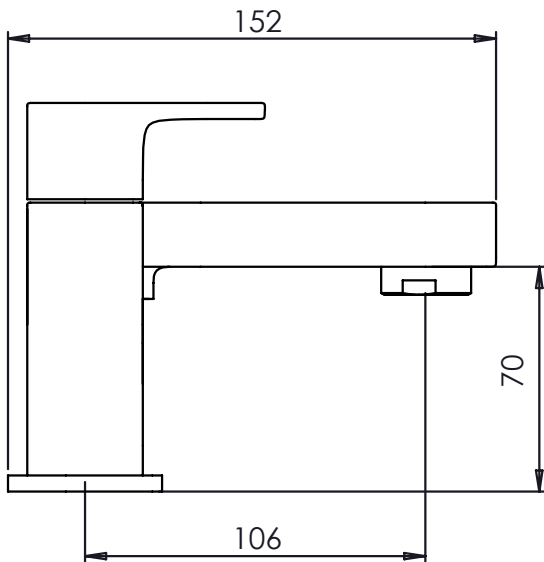
| No. | Description | Code | Fixings Included |
|-----|-------------------|--------|------------------|
| 1 | Serve Bath Filler | TR1069 | YES |



| | |
|---------------|-------------------|
| Min Pressure: | 0.2bar |
| 0.2bar | 14 litres / min |
| 0.3bar | 16.8 litres / min |
| 0.4bar | 18.6 litres / min |
| 0.5bar | 20.9 litres / min |
| 1bar | 29.6 litres / min |
| 2bar | 41.6 litres / min |

Dimensions - TR1069

Diagrams not to scale. All dimensions in mm (tolerance of +/-5mm)



*Dimensions are subject to change, customers are advised to measure product before commencing installation.

FAQs

Does the tap come fitted with an aerator? Yes, the aerator comes pre-installed but can be replaced.

What size plumbing fittings are needed for the threaded legs? This product will work with standard 3/4" plumbing fittings.

Technical Data Sheet

Serve Bath Shower Mixer - TR1079



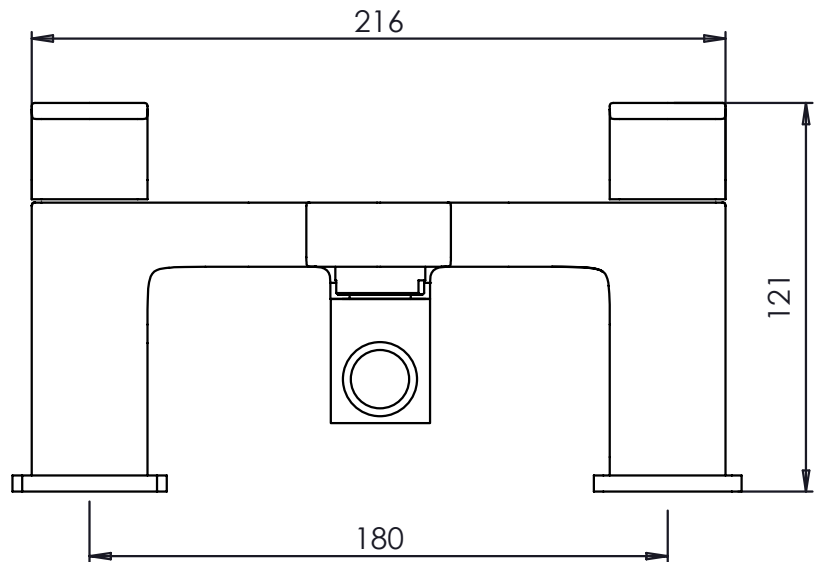
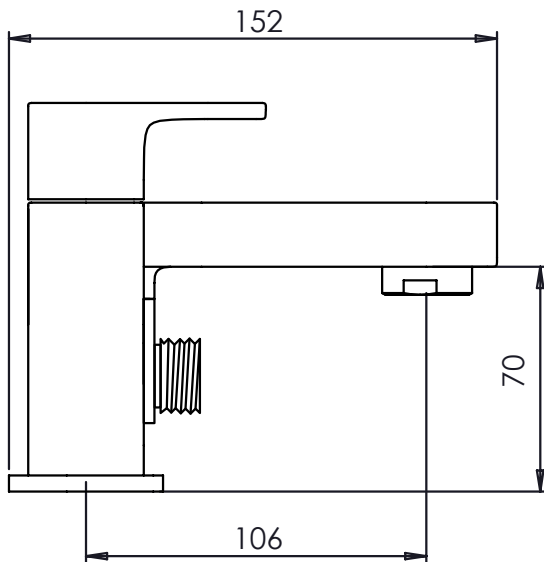
| No. | Description | Code | Fixings Included |
|-----|-------------------------|--------|------------------|
| 1 | Serve Bath Shower Mixer | TR1079 | YES |



| | |
|---------------|-------------------|
| Min Pressure: | 0.2bar |
| 0.2bar | 14 litres / min |
| 0.3bar | 16.8 litres / min |
| 0.4bar | 18.6 litres / min |
| 0.5bar | 20.9 litres / min |
| 1bar | 29.6 litres / min |
| 2bar | 41.6 litres / min |

Dimensions - TR1079

Diagrams not to scale. All dimensions in mm (tolerance of +/-5mm)



*Dimensions are subject to change, customers are advised to measure product before commencing installation.

FAQs

Does the tap come fitted with an aerator? Yes, the aerator comes pre-installed but can be replaced.

What size plumbing fittings are needed for the threaded legs? This product will work with standard 3/4" plumbing fittings.

What size are the connections for the shower hose? The threaded connections on the shower hose are a standard 1/2" BSP connection.

Technical Data Sheet

Serve Black Basin Mixer - TR1075



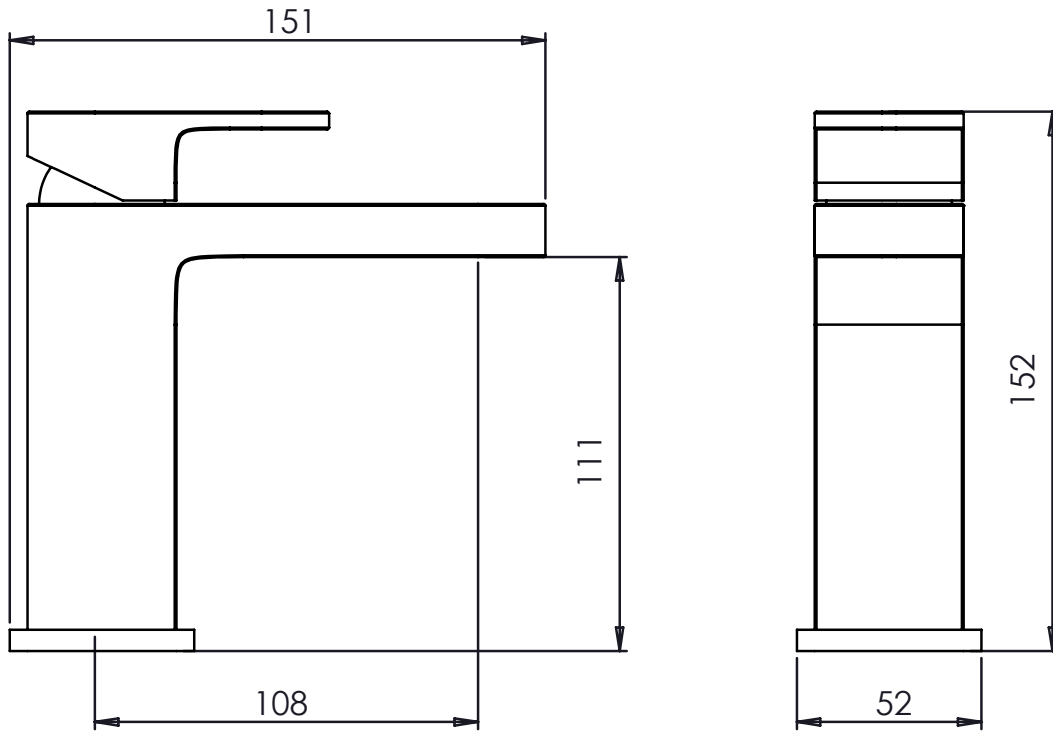
| No. | Description | Code | Fixings Included |
|-----|-------------------|--------|------------------|
| 1 | Serve Basin Mixer | TR1075 | YES |



| | |
|---------------|-------------------|
| Min Pressure: | 0.2bar |
| 0.2bar | 4 litres / min |
| 0.3bar | 4.5 litres / min |
| 0.4bar | 5.2litres / min |
| 0.5bar | 6 litres / min |
| 1bar | 8.3 litres / min |
| 2bar | 11.9 litres / min |

Dimensions - TR1075

Diagrams not to scale. All dimensions in mm (tolerance of +/-5mm)



*Dimensions are subject to change, customers are advised to measure product before commencing installation.

FAQs

What is the size of the tap tail connection? The tap tails have a standard 1/2" BSP fixing.

What bore is the tap tail? The tails have a 10mm internal bore.

What length are the tap tails? The tails are 300mm in length.

Does the tap come fitted with an aerator? Yes, the aerator comes pre-installed but can be replaced.

Technical Data Sheet

Serve Black Mini Basin Mixer - TR1076



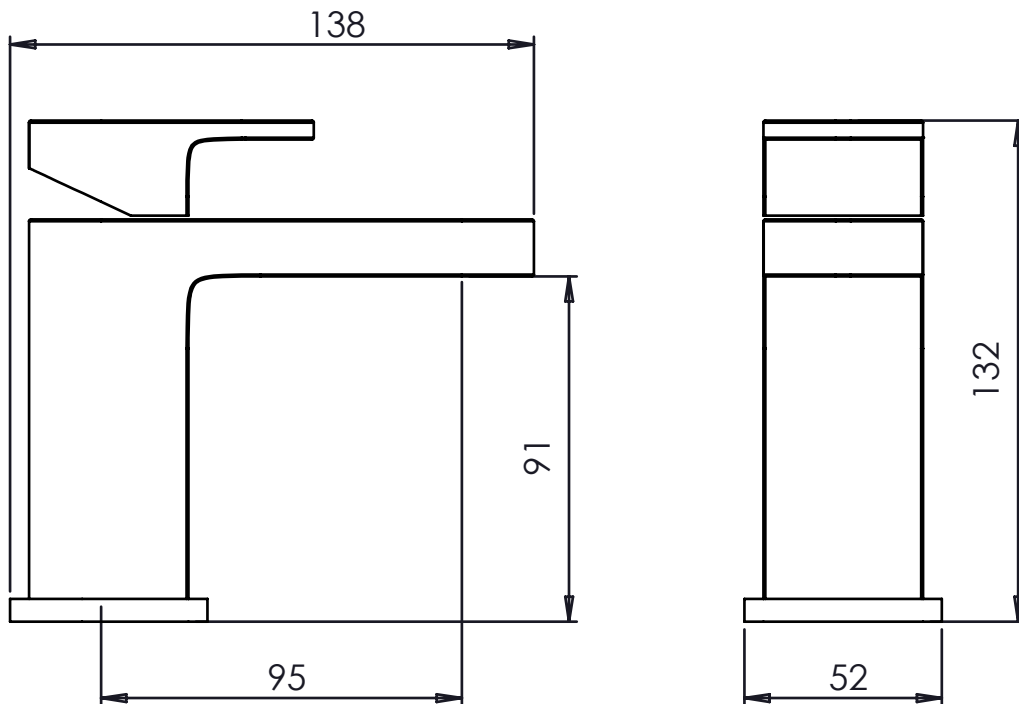
| No. | Description | Code | Fixings Included |
|-----|------------------------------|--------|------------------|
| 1 | Serve Black Mini Basin Mixer | TR1076 | YES |



| | |
|---------------|-------------------|
| Min Pressure: | 0.2bar |
| 0.2bar | 4 litres / min |
| 0.3bar | 4.5 litres / min |
| 0.4bar | 5.2 litres / min |
| 0.5bar | 6 litres / min |
| 1bar | 8.3 litres / min |
| 2bar | 11.9 litres / min |

Dimensions - TR1076

Diagrams not to scale. All dimensions in mm (tolerance of +/-5mm)



*Dimensions are subject to change, customers are advised to measure product before commencing installation.

FAQs

What is the size of the tap tail connection? The tap tails have a standard 1/2" BSP fixing.

What bore is the tap tail? The tails have a 10mm internal bore.

What length are the tap tails? The tails are 300mm in length.

Does the tap come fitted with an aerator? Yes, the aerator comes pre-installed but can be replaced.

Technical Data Sheet

Serve Black Bath Filler - TR1077



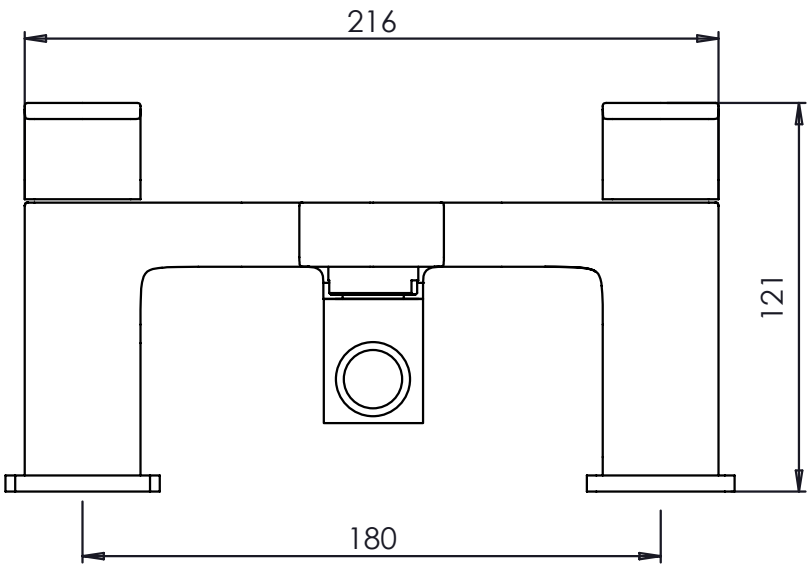
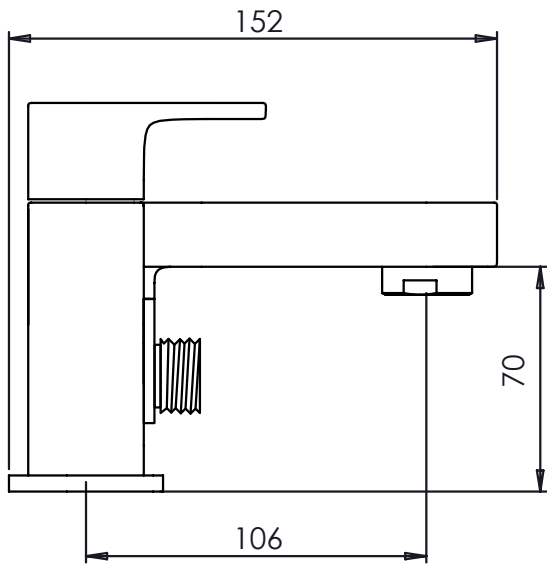
| No. | Description | Code | Fixings Included |
|-----|-------------------------|--------|------------------|
| 1 | Serve Black Bath Filler | TR1077 | YES |



| | |
|---------------|-------------------|
| Min Pressure: | 0.2bar |
| 0.2bar | 14 litres / min |
| 0.3bar | 16.8 litres / min |
| 0.4bar | 18.6 litres / min |
| 0.5bar | 20.9 litres / min |
| 1bar | 29.6 litres / min |
| 2bar | 41.6 litres / min |

Dimensions - TR1077

Diagrams not to scale. All dimensions in mm (tolerance of +/-5mm)



*Dimensions are subject to change, customers are advised to measure product before commencing installation.

FAQs

Does the tap come fitted with an aerator? Yes, the aerator comes pre-installed but can be replaced.

What size plumbing fittings are needed for the threaded legs? This product will work with standard 3/4" plumbing fittings.

Technical Data Sheet

Serve Black Bath Shower Mixer - TR1083



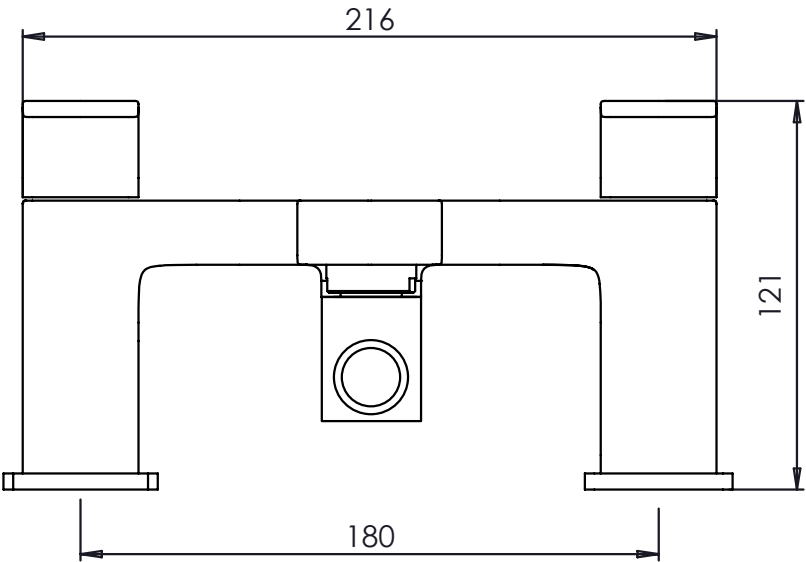
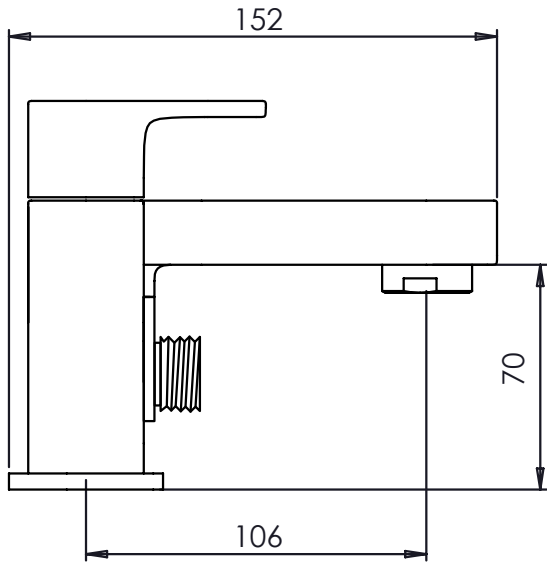
| No. | Description | Code | Fixings Included |
|-----|-------------------------------|--------|------------------|
| 1 | Serve Black Bath Shower Mixer | TR1083 | YES |



| | |
|---------------|-------------------|
| Min Pressure: | 0.2bar |
| 0.2bar | 14 litres / min |
| 0.3bar | 16.8 litres / min |
| 0.4bar | 18.6 litres / min |
| 0.5bar | 20.9 litres / min |
| 1bar | 29.6 litres / min |
| 2bar | 41.6 litres / min |

Dimensions - TR1083

Diagrams not to scale. All dimensions in mm (tolerance of +/-5mm)



*Dimensions are subject to change, customers are advised to measure product before commencing installation.

FAQs

Does the tap come fitted with an aerator? Yes, the aerator comes pre-installed but can be replaced.

What size plumbing fittings are needed for the threaded legs? This product will work with standard 3/4" plumbing fittings.

What size are the connections for the shower hose? The threaded connections on the shower hose are a standard 1/2" BSP connection.